

Pressure measuring transducers,
incl. DIN plug-in connectors,
with active output

The pressure measuring transducer **PREMASGARD® SHD-SD** measures relative pressures in the bar range. It converts the measurand pressure into standard signals of 0-10 V or 4...20 mA. Process connection is G ½" straight external pipe thread. SHD-SD is used for pressure measurement in gaseous and liquid media. Applications of this pressure transmitter are in hydraulics, pneumatics, process technology, in mechanical and plant engineering.
Not applicable for ammonia and Freon!

SHD-SD

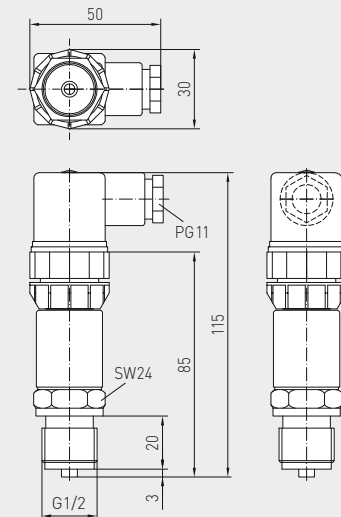


TECHNICAL DATA

Power supply:	24 V AC / DC for output 0-10 V 7 - 33V DC for output 4 ... 20 mA
Measuring ranges:	see table (other ranges upon request)
Output:	0-10 V, 3-wire, (working resistance > 10 kOhm) or 4...20 mA, 2-wire, (working resistance < (UB (V) - 7 V) / 0,02 A; R _L depending on working resistance
Electrical connection:	0.25 - 1.5 mm ² , via plug-in connector DIN EN 175301-803-A (included in the scope of delivery)
Pressure connection:	G ½" sealing at the back, and manometer (combined) with profile gasket FPM, special WW G ¼" DIN 3852
Type of pressure:	relative
Measuring principle:	ceramic measuring cell
Temperature of medium:	-15...+125 °C
Mounting:	directly on pressure line
Housing:	stainless steel V2A (1.4305)
Connecting head:	plastic, approx. 98 x 50 x 34 mm
Medium contacting parts:	stainless steel V2A (1.4305); measuring element ceramic Al ₂ O ₃ (96%); sealing material FPM (Viton)
Response time:	2 ms (1 ms typical)
Load changes:	< 100 Hz
Characteristic line:	± 0.3 %
Overload range / Bursting pressure:	< 4 bar: 3 x FS > 4 bar: 2.5 x FS
Protection class:	III (according to EN 60 730)
Protection type:	IP 65 (according to EN 60 529)
Standards:	CE conformity, electromagnetic compatibility according to EN 61 326, EMC directive 2014 / 30 / EU
Tests:	Drinking water approval according to NSF/ANSI 61/372, UL-certified according to ANSI/UL 61010-1
Optional:	Display module , made of plastic, polyamide material, black colour, extra height: approx. 73 mm, pluggable, factory-calibrated and configured , for displaying the differential pressure (in bar, other units available upon request)

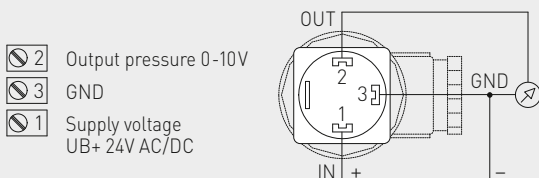
Dimensional drawing

SHD-SD



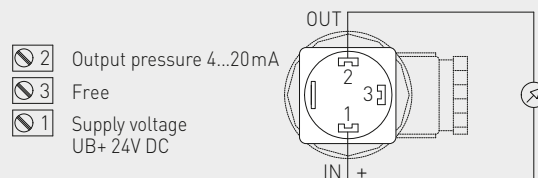
Connecting diagram

SHD-SD-U



Connecting diagram

SHD-SD-I



PREMASGARD® SHD - SD Pressure measuring transducers, *Standard*

Type/ WG01	Measuring Range	Item No.	Price	Type/ WG01	Measuring Range	Item No.	Price
SHD-SD-U				SHD-SD-I			
U-variant				I-variant			
SHD-SD-U 6	0...6 bar	1301-2121-0550-120	112,26 €	SHD-SD-I 6	0...6 bar	1301-2122-0550-000	112,26 €
SHD-SD-U 10	0...10 bar	1301-2121-0560-120	112,26 €	SHD-SD-I 10	0...10 bar	1301-2122-0560-000	112,26 €
SHD-SD-U 16	0...16 bar	1301-2121-0570-120	112,26 €	SHD-SD-I 16	0...16 bar	1301-2122-0570-000	112,26 €