

Installation Components for RS-485 networks for Saia PCD® series

0 Content

0.1	Document History	0-3
0.2	About this manual	0-3
0.3	Brands and trademarks	0-3

1 Introduction

1.1	General description	1-1
1.2	Summary of types	1-2
1.3	Module Availability	1-2

2 Termination-Box PCD7.T16x

2.1	Overview	2-1
2.2	Termination Box PCD7.T161	2-2
2.2.1	Function description	2-2
2.2.2	Block circuit diagram / connection scheme	2-2
2.2.3	Technical data	2-2
2.2.4	Example	2-3
2.3	Termination Box PCD7.T162	2-4
2.3.1	Function description	2-4
2.3.2	Block circuit diagram / connection scheme	2-4
2.3.3	Technical Data	2-4
2.3.4	Example	2-5
2.4	Termination box PCD7.T160 (outphased).....	2-6
2.4.1	Description of function	2-6
2.4.2	Block diagram	2-6
2.4.3	Printed circuit board, jumper positions.....	2-7
2.4.4	Settings	2-7
2.4.5	Front panel and name plate	2-8
2.4.6	Connection	2-8

3 Converters PCD7.T120* and PCD7.T140

3.1	Description of function	3-1
3.2	Block diagrams	3-1
3.3	Printed circuit board, jumper positions.....	3-2
3.4	Settings	3-2
3.5	Front panels and name plates	3-3
3.6	Connection	3-4

4 Repeater PCD7.T100*

4.1	Description of function	4-1
4.2	Block diagram	4-2
4.3	Printed circuit boards, DIL switches, jumper positions.....	4-2
4.4	Settings	4-3
4.5	Impulse diagram	4-4
4.6	Front panel and name plate	4-6
4.7	Connection	4-6

5 Common data

5.1	Supply	5-1
5.2	Mechanical description	5-1
5.3	Dimension diagrams	5-1
5.4	Operating conditions	5-2
5.5	Storage conditions	5-2
5.6	Standards.....	5-2

6 Installation of a network

6.1	Single segment networks	6-1
6.2	Multi-segment networks	6-3
6.3	Stub cables	6-7
6.4	Physical properties of the network	6-9
6.5	Grounding plans.....	6-10
6.5.1	Network structure with tied potential	6-11
6.5.2	Network structure with separate potential.....	6-12
6.6	Attributes and components for individual networks.....	6-14
6.6.1	SBC S-Bus	6-14
6.6.2	SBC LAN2.....	6-15
6.6.3	ProfiBus	6-15

7 Commissioning a network

7.1	Static tests	7-1
7.2	Dynamic tests	7-3
7.2.1	SBC LAN2.....	7-3
7.2.2	ProfiBus	7-4
7.2.3	Connection of non SBC devices	7-4

A Appendix

A.1	Icons	A-1
A.2	Contact	A-2

0.1 Document History

Date	Version	Changes	Remarks
2011-04-20	Template	-	Erstellung der Handbuchvorlage für CS4
2012-05-09	EN05	-	Storage temperature changed from -20 to -25 Added PCD7.T16x, chapter 2 Availability of modules, chapter 1.3
2013-10-23	EN06	-	New logo and new company name

0.2 About this manual

See the section in the appendix in relation to some of the terms, abbreviations and the references used in this manual.

0.3 Brands and trademarks

Saia PCD® and Saia PG5®
are registered trademarks of Saia-Burgess Controls AG.

Technical modifications are based on the current state-of-the-art technology.

Saia-Burgess Controls AG, 2007. © All rights reserved.

Published in Switzerland

1 Introduction

1.1 General description



For error-free operation of an RS-485 network (SBC S-Bus, SBC LAN2, ProfiBus) the principal requirement is perfect installation of the data transmission line. A small network is usually very tolerant of signal quality, i.e. any small installation in an office or laboratory will immediately show the expected results, even without a shielded line or the prescribed pull-up, pull-down and line termination resistors, and in the absence of any electrical isolation. If the same lack of care is applied to commissioning a larger, industrial installation, faults soon arise because of potential differences or inadequate signal levels.

The components described in this manual are provided as the best possible way of adapting an RS-485 network to the task.

Termination box

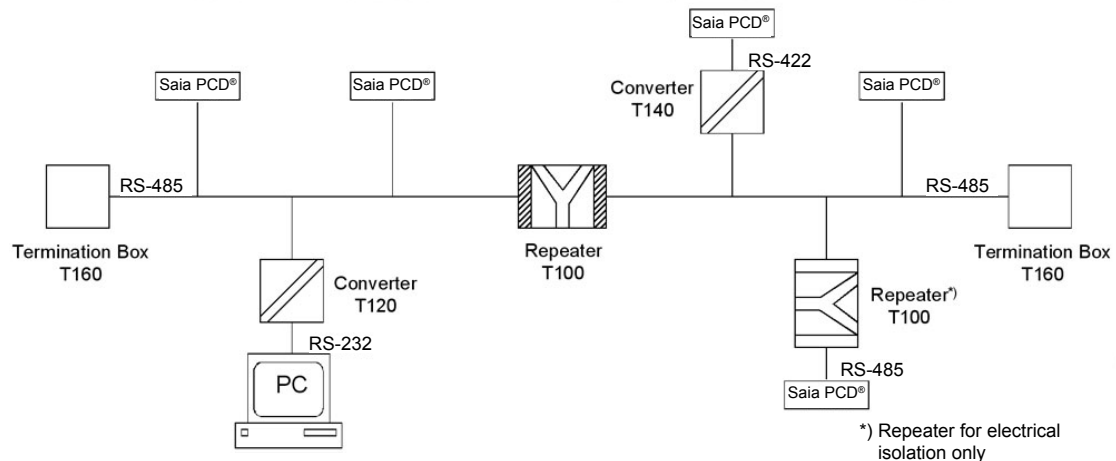
This very simple module is used to terminate the network correctly and to apply bias voltage to the signal lines with an electrically isolated supply and the correct off-load potential.

Converter

The converters enable electrically isolated conversion from the RS-232 or RS-422 of a remote station to the RS-485 2-wire bus and vice versa.

Repeater

The repeater is used not only for the electrical isolation of individual line sections from each other, but also to reprocess signals travelling longer distances.



1.2 Summary of types

Description	Typ	Current consumption
Repeater	PCD7.T100	65 mA
Converter RS-232 to RS-485	PCD7.T120	55 mA
Converter RS-422 to RS-485	PCD7.T140	55 mA
Termination-Box	PCD7.T160	30 mA
Termination-Box	PCD7.T161	works with 230 VAC
Termination-Box	PCD7.T162	17 mA

1

1.3 Module Availability

Description	Typ	Availability
Repeater	PCD7.T100*	Not recommended for new projects
Converter RS-232 zu RS-485	PCD7.T120*	Not recommended for new projects
Converter RS-422 zu RS-485	PCD7.T140*	Not recommended for new projects
Termination-Box	PCD7.T160**	No longer fabricated
Termination-Box	PCD7.T161	From stock
Termination-Box	PCD7.T162	From stock

* It is recommended to use commercial products. Depending on use, products for industrial environments should be chosen.

** Replacement **: PCD7.T161 or PCD7.T162

2 Termination-Box PCD7.T16x

2.1 Overview

The main differences between the devices PCD7.T160, and PCD7.T161 PCD7.T162 are:

	PCD7.T160*	PCD7.T161	PCD7.T162	Remarks
Power supply	24 VDC	230 VAC	24 VAC/DC	
Housing	45 × 75 × 105 mm	17.5 × 85 × 64 mm	17.5 × 85 × 64 mm	PCD7.T161 and PCD7.T162 are in accordance with the standard of electric cabinet
End resistor	335, 224, 149 or 122 Ω suitable through DIL-switch	Fixe 120 Ω	Fixe 120 Ω	Default value for PCD7.T160 is 122 Ω
Display	2 LED for 24 and 5 VDC	LED for 230 VAC	LED for 24 V	

*The PCD7.T160 were outphased per end of 2011.

2.2 Termination Box PCD7.T161

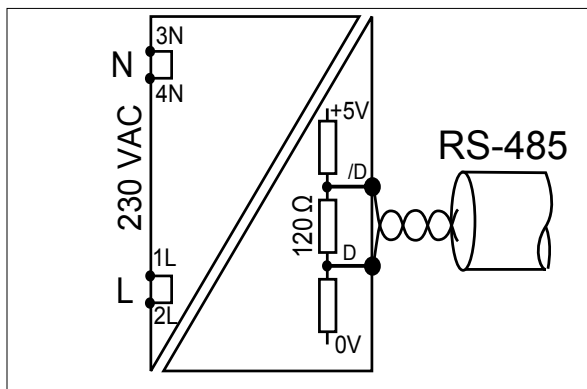
2.2.1 Function description

For the safe and service-friendly use of an RS-485 network it is important to install the termination resistors separately and clearly. The RS-485 standard requires that the bus is completed. This is the purpose of the termination box.

The signal lines D and /D are biased with a galvanically isolated supply to the necessary resting potential.

The terminating resistor has a fixed value of 120 Ω , which corresponds to the default value (factory setting) from the old device PCD7.T160.

2.2.2 Block circuit diagram / connection scheme

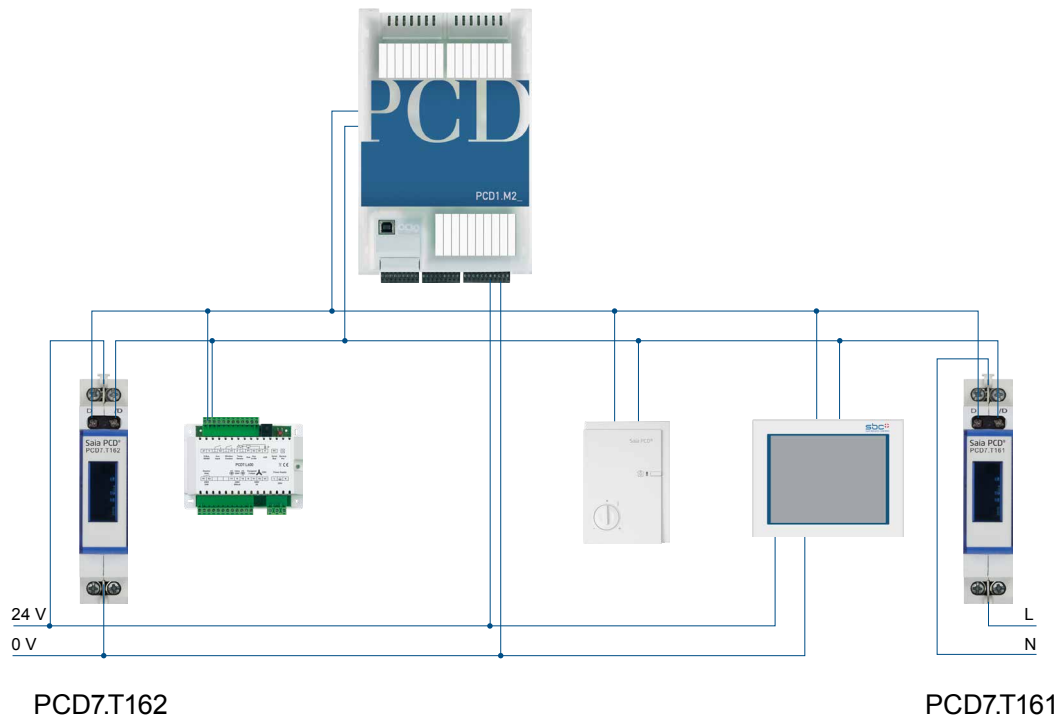


2.2.3 Technical data

- 17.5 mm case (same as ALD)
- 230 VAC +15 % / -20 % for PDC7.T161
- 24 VAC / DC -15 % / +15 % for PDC7.T162
- Power consumption of 0,4 W
- Isolated supply
- Fixed end resistor of 120 Ω
- Power-on LED

2.2.4 Example

2



2.3 Termination Box PCD7.T162

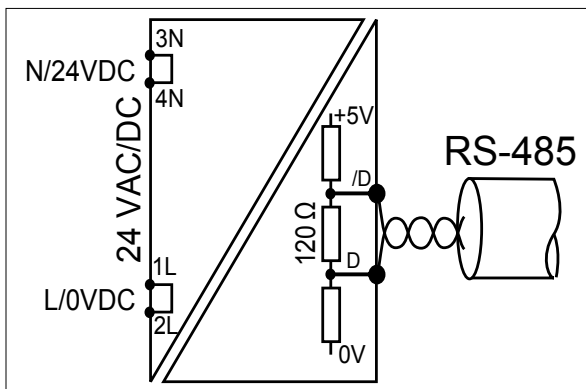
2.3.1 Function description

For safe and service-friendly use of an RS-485 network it is important to install the termination resistors separately and clearly. The RS-485 standard requires that the bus is completed. This is the purpose of the termination box.

The signal lines D and /D are biased with a galvanically isolated supply to the necessary resting potential.

The terminating resistor has a fixed value of 120 Ω , which corresponds to the default value (factory setting) from the old device PCD7.T160.

2.3.2 Block circuit diagram / connection scheme

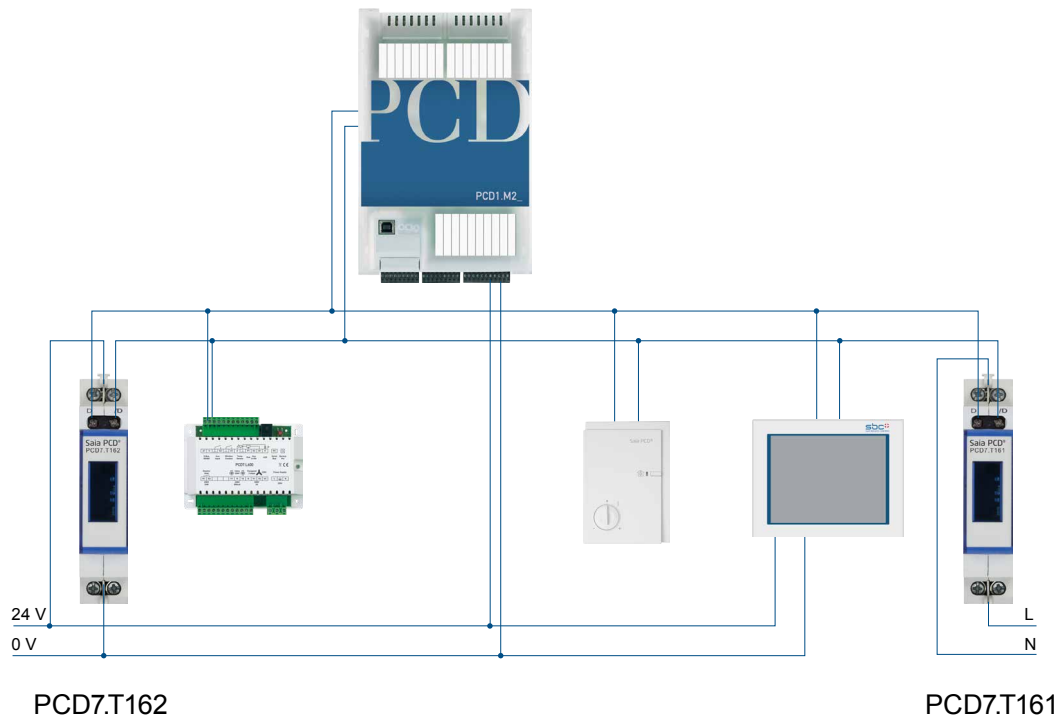


2.3.3 Technical Data

- 17.5 mm case (same as ALD)
- 230 VAC +15 % /-20 % for PDC7.T161
- 24 VAC / DC -15 % /+15 % for PDC7.T162
- Power consumption of 0,4 W
- Isolated supply
- Fixed end resistor of 120 Ω
- Power-on LED

2.3.4 Example

2



2.4 Termination box PCD7.T160 (outphased)

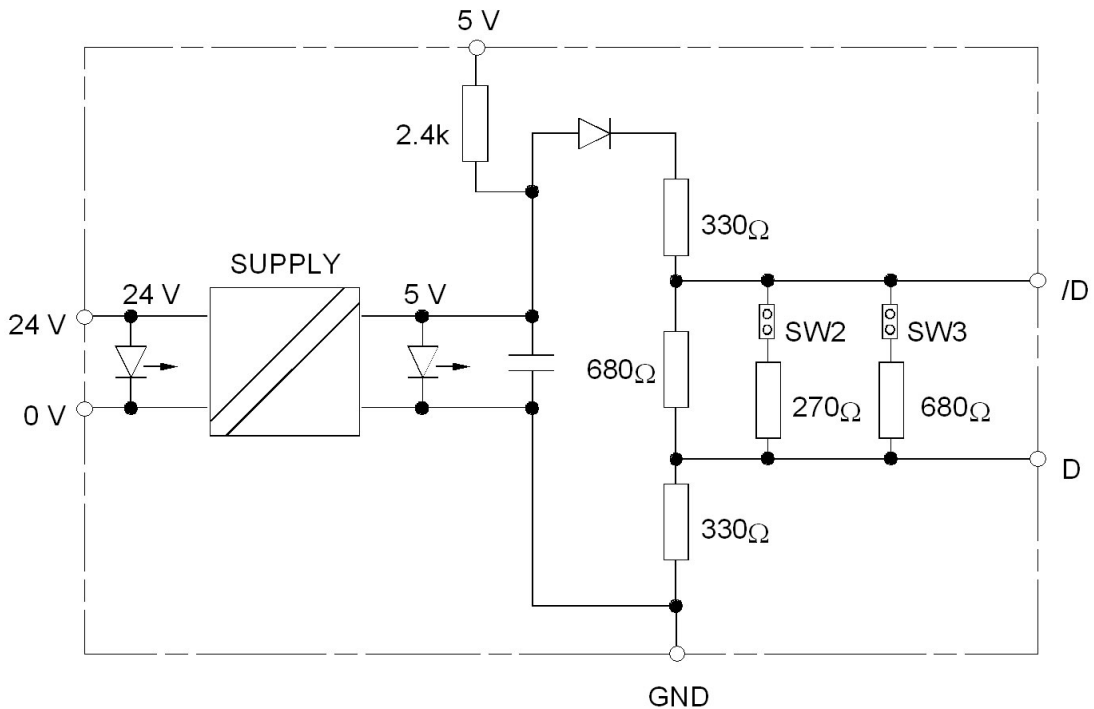
2.4.1 Description of function

2

For the safe use of an RS-485 network, and for ease of service, it is important to install the line termination resistors separately and and to arrange them clearly. The termination box is provided for this purpose where, depending on the physical properties and length of the line, a suitable line termination resistors can be set by a DIL switch. An electrically isolated supply provides bias voltage at the necessary off-load potential for signal lines D and /D.

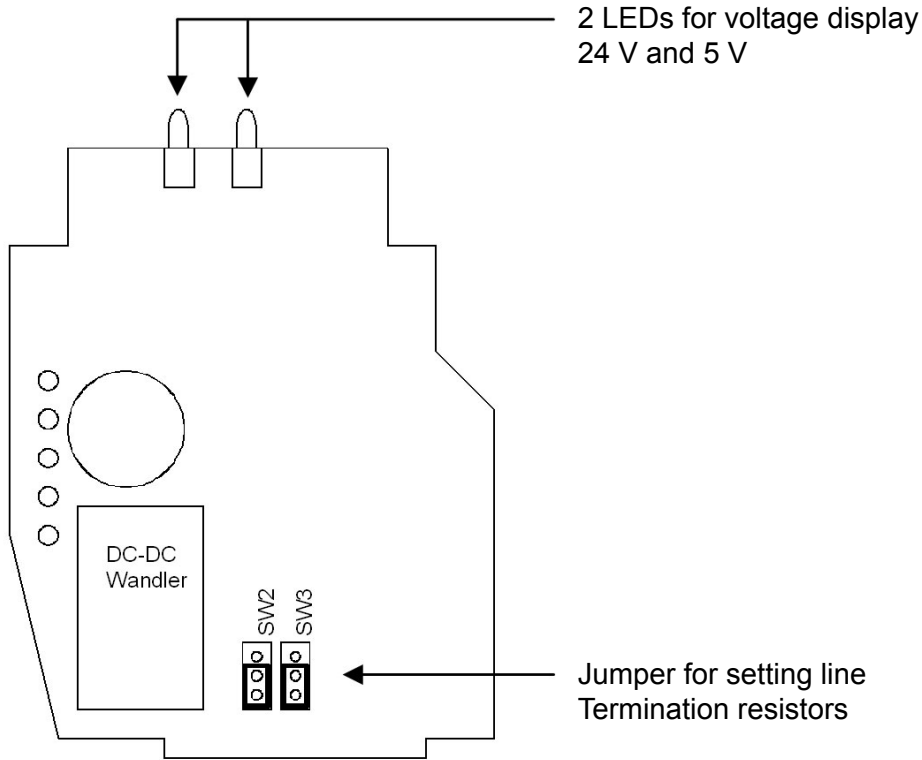
The termination box can be used for SBC LAN2, SBC S-Bus or for ProfiBus FMS/DP. For ProfiBus, the termination box can be used with all baudrate until 12 Mbit/s

2.4.2 Block diagram

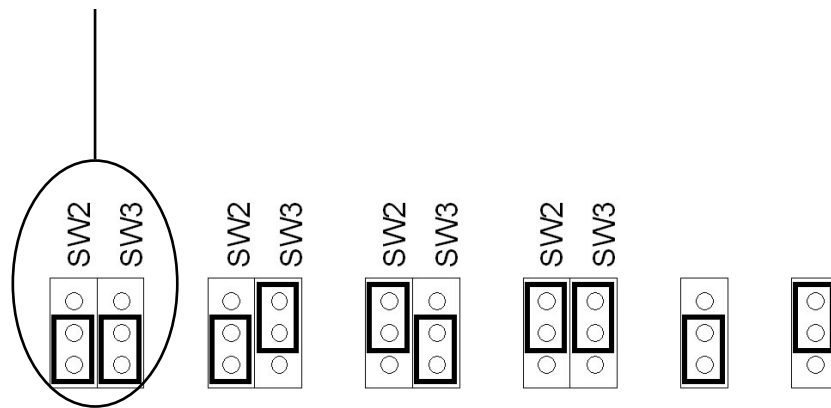


Block diagram for PCD7.T160 termination box

2.4.3 Printed circuit board, jumper positions



2.4.4 Settings



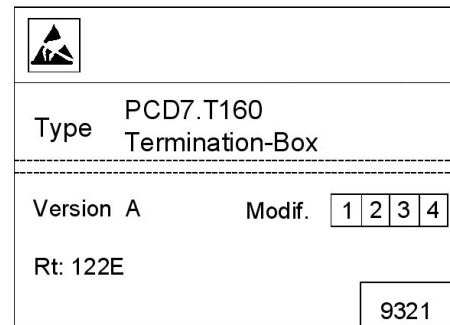
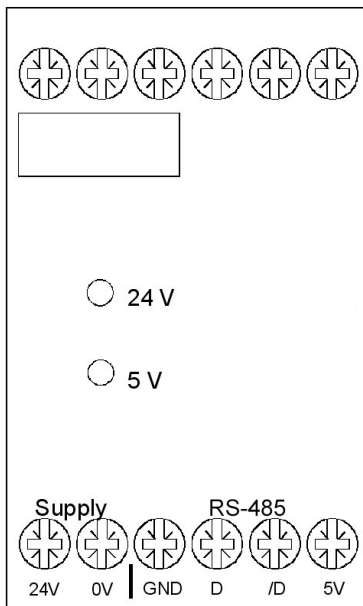
Selected resistance R:	680Ω	340Ω	193Ω	150Ω*)	open	close
Resultant line termination resistance RT:	335Ω	224Ω	149Ω	122Ω		

*) factory setting

The factory setting of the termination resistors is 122Ω. This setting is suitable for almost all cases and should not be changed.

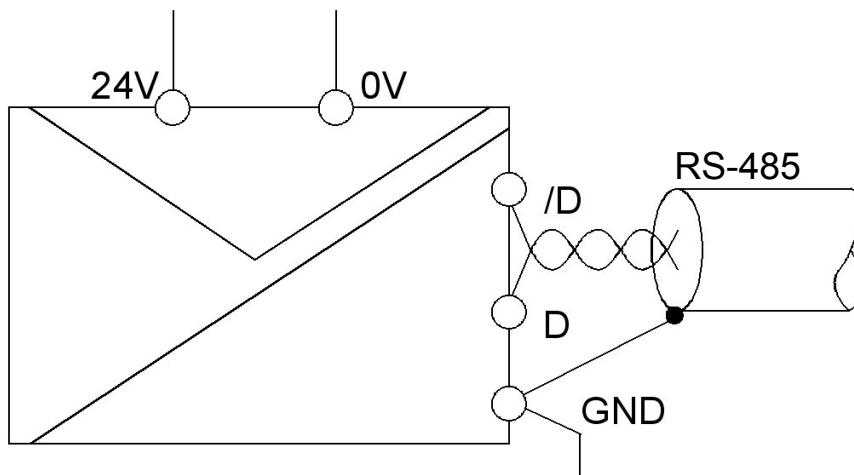
If in practice there are a lot of telegram repetitions, a try with other termination resistors can be done.

2.4.5 Front panel and name plate



2

2.4.6 Connection



Notes:

- Terminals «0V» and «GND» are electrically isolated.
- The «5V» terminal is used solely to enable control measurement with a standard voltmeter.

3 Converters PCD7.T120* and PCD7.T140

* Not recommended for new projects (see section 1.3)

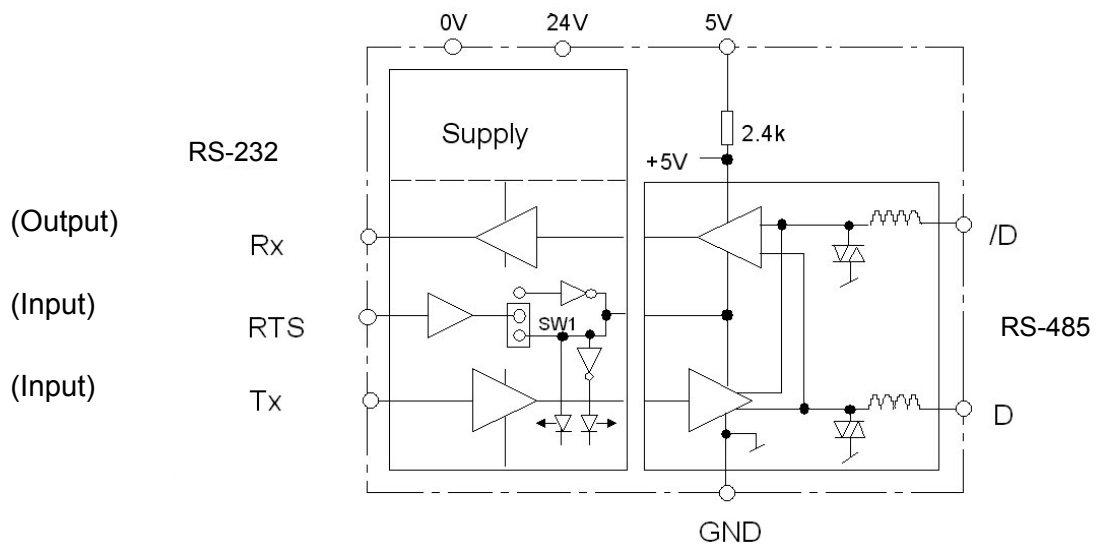
3.1 Description of function

The converters enable communications to change over from RS-232 (for PCD7.T120) or from RS-422 (for PCD7.T140) to RS-485. Switching from receive to send is controlled externally by means of the RTS signal. The RS-485 connection is electrically isolated from any other potential. These converters do not have line termination resistors on the RS-485 side. It is possible to preset RTS signal polarity with a jumper.

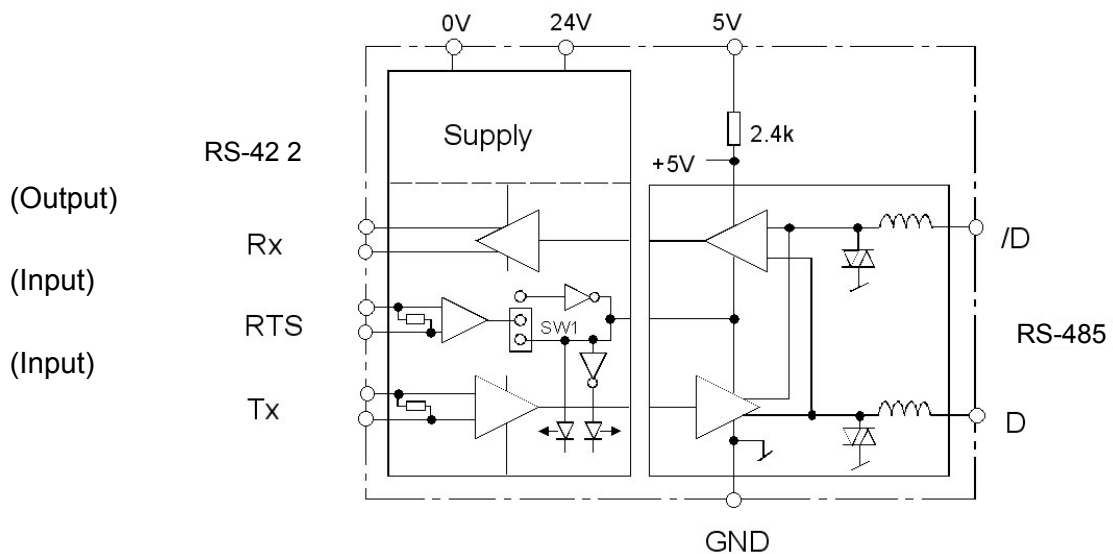
3

Converters are used exclusively for SBC S-Bus networks.

3.2 Block diagrams

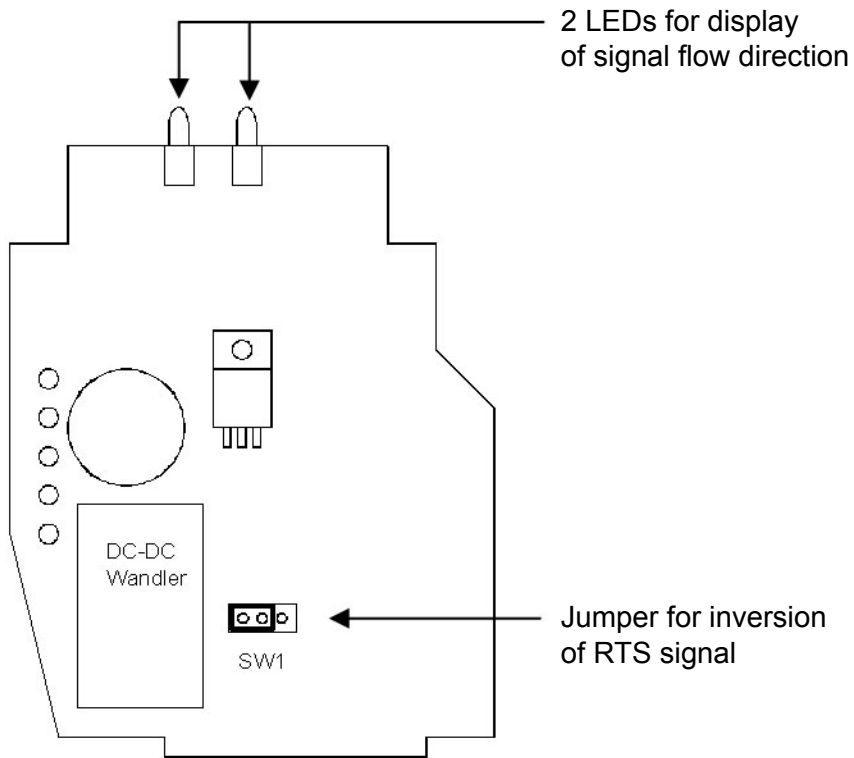


Block diagram of PCD7.T120 converter (RS-232 to RS-485)



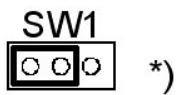
The RS-422 inputs are Terminated with 150Ω
Block diagram of PCD7.T140 converter (RS-422 to RS-485)

3.3 Printed circuit board, jumper positions



3

3.4 Settings



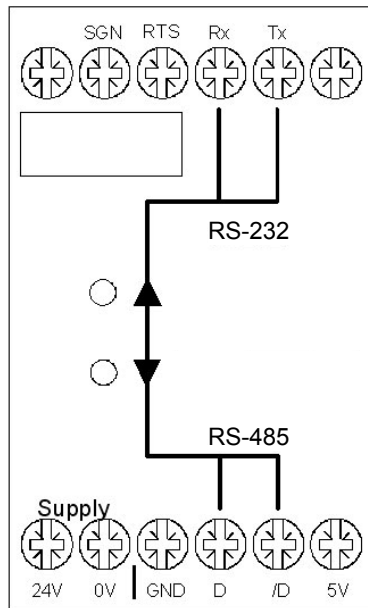
if RTS is H: send
if RTS is L: receive

*) factory setting

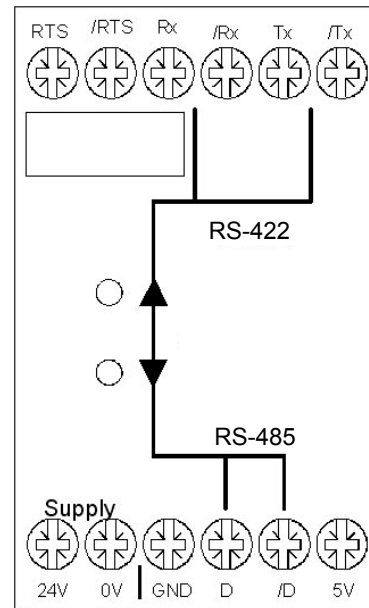


if RTS is H: receive
if RTS is L: send

3.5 Front panels and name plates



PCD7.T120



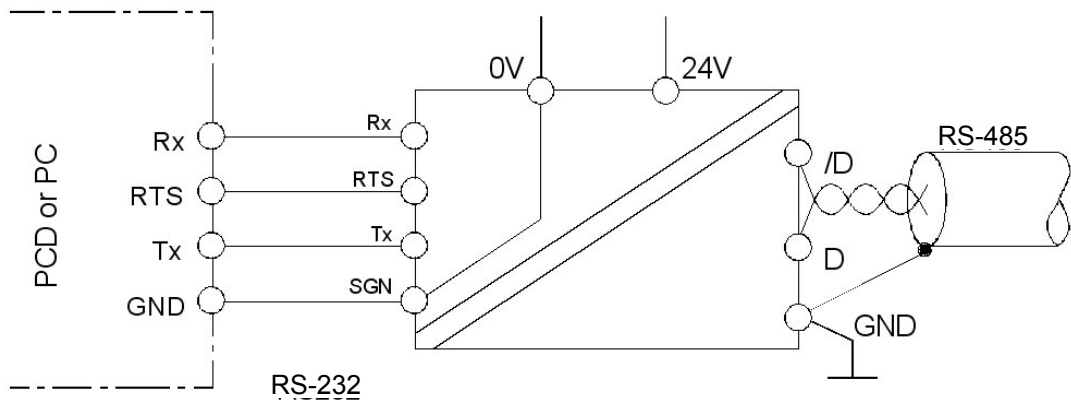
PCD7.T140

3

Type	PCD7.T120 Converter RS-232 / 485
Version A	Modif. <input type="text" value="1"/> <input type="text" value="2"/> <input type="text" value="3"/> <input type="text" value="4"/>
9321	

Type	PCD7.T140 Converter RS-232 / 485
Version A	Modif. <input type="text" value="1"/> <input type="text" value="2"/> <input type="text" value="3"/> <input type="text" value="4"/>
9321	

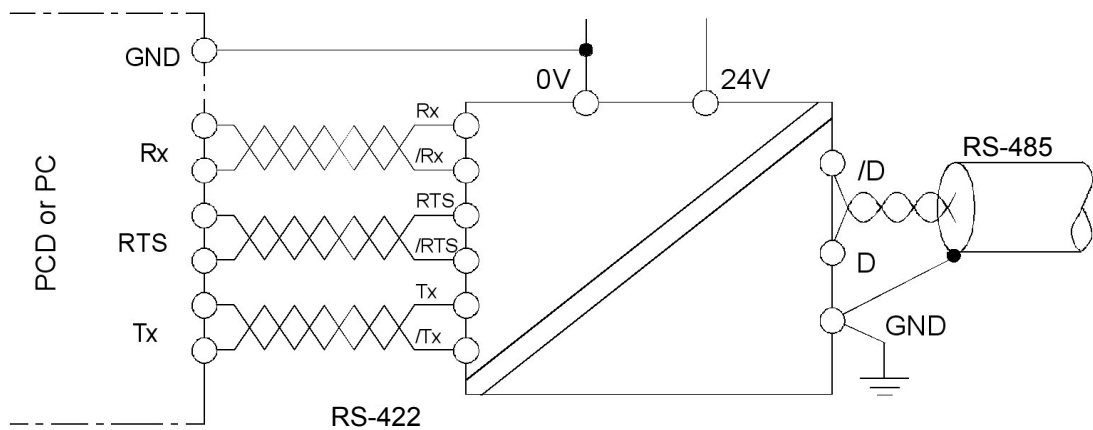
3.6 Connection



3

PCD7.T120

As the connection diagram shows, terminals «0V» and «SGN» have the same potential.



PCD7.T140

The «+5V» terminal is used for test purposes only. If necessary, the internal supply can be checked with a voltmeter.

4 Repeater PCD7.T100*

* Not recommended for new projects (see section 1.3)

4.1 Description of function

The repeater is used for decoupling the RS-485 communications network. This serves two purposes: the reprocessing of transmission signals and the electrical isolation of individual sections of the line.

Signal reprocessing is necessary

– if total length of bus cable exceeds

for 0,3 kBit/s	to 187,5 kBit/s	1200 m
	to 500 kBit/s	400 m
	to 1500 kBit/s	200 m
	to 12 MBit/s	100 m

– if more than 32 remote stations participate in a network

For details see chapter 6.

Electrical isolation is necessary

- if the reference ground in the area of the installation shows excessive potential differences (a few volts)
- if the installation's reference ground is excessively charged with stray current.

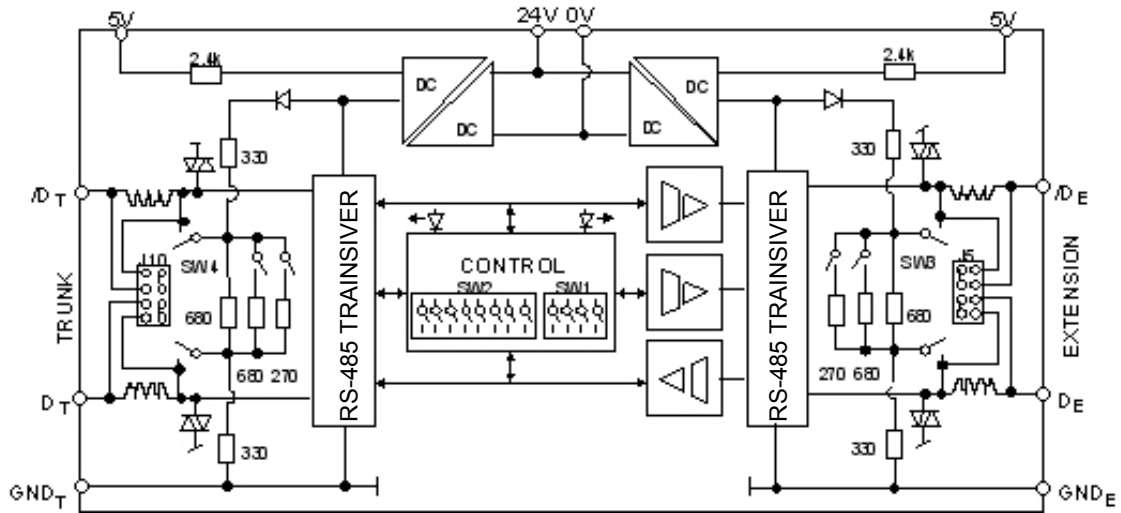
With the RS-485, only one line is available for sending and receiving information. The direction of data flow must therefore be recognized and controlled by the repeater independently. Complete transmission of the characters is ensured by monitoring the rest period. Rest period monitoring is dependent on transmission speed and the transmission protocol. This rest period must be set with DIL switches on the module.

The repeater can be used with SBC LAN2, SBC S-Bus and SBC ProfiBus FMS/DP. For ProfiBus, a baudrate higher than 500 kBit/s is not allowed.

The maximum number of repeaters which can be used in sequence in the signal way is limited:

- 7 repeaters for LAN2
- 7 repeaters for SBC S-Bus
- 3 repeaters for ProfiBus

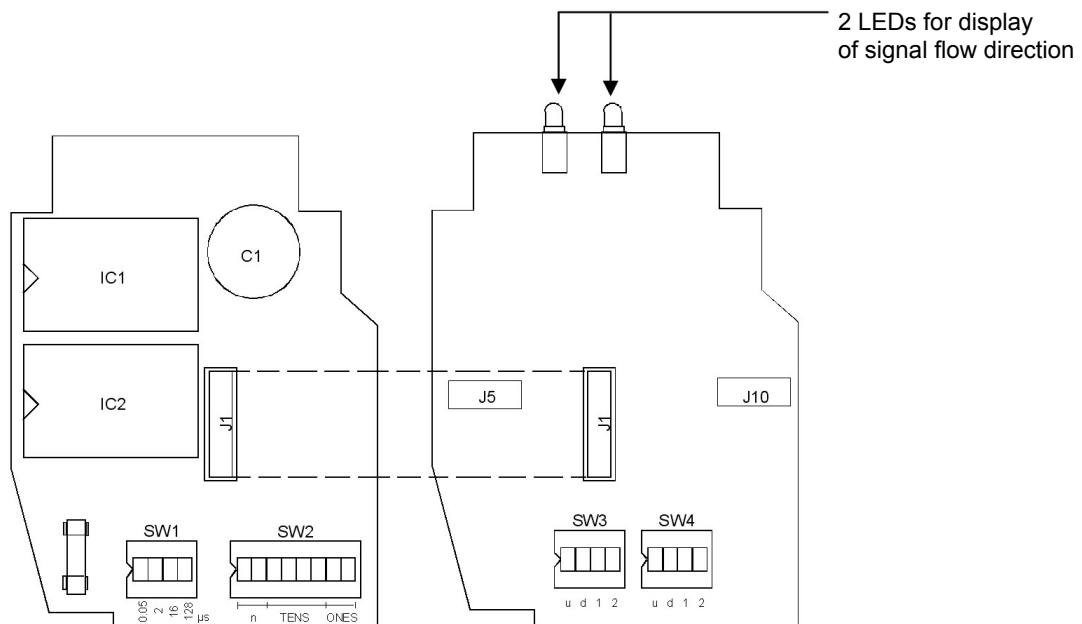
4.2 Block diagram



Detailed block diagram of the PCD7.T100 repeater

The «+5V» terminals are used for test purposes only. If necessary, internal supplies can be checked with a voltmeter.

4.3 Printed circuit boards, DIL switches, jumper positions



DIL switch and jumper functions are described in the next section.

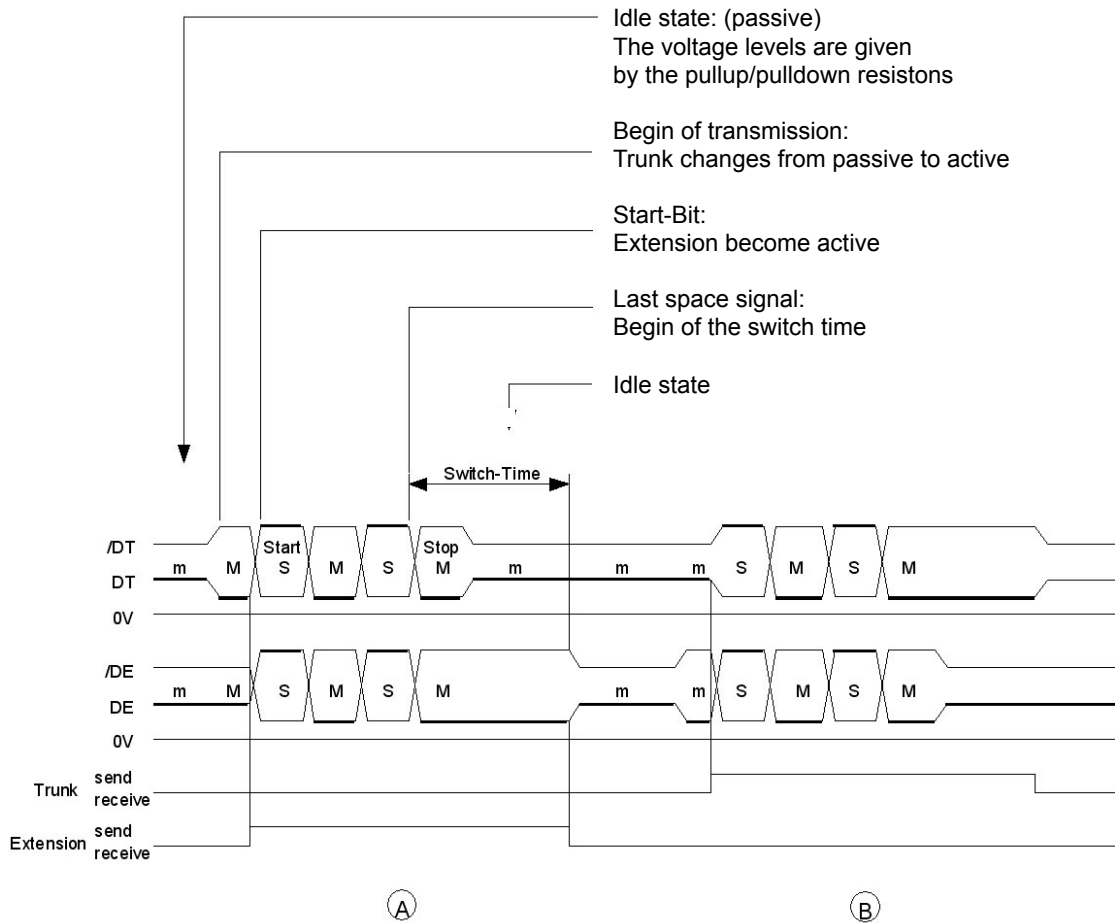
4.4 Settings

The rest period is set using the 2 DIL switches SW1 and SW2 according to the following table.

Baudrate	Timebase	Setting		Switch-Time
		SW1	SW2	
110 Bit/s	128 μ s	000X	XX 000X XX	88.1 ms
150 Bit/s	128 μ s	000X	XO 0XXO OX	65.5 ms
300 Bit/s	128 μ s	000X	XO 0XXO OX	32.7 ms
600 Bit/s	128 μ s	000X	OO 0XXO OX	16.4 ms
1200 Bit/s	16 μ s	00XO	XX 0XXO OX	8.2 ms
2400 Bit/s	16 μ s	00XO	XO 0XXO OX	4.1 ms
4800 Bit/s	16 μ s	00XO	OO 0XXO OX	2.0 ms
9600 Bit/s ¹⁾	2 μ s	OXOO	XX 0XXO OX	1024 μ s
19200 Bit/s	2 μ s	OXOO	XO 0XXO OX	512 μ s
38400 Bit/s	2 μ s	OXOO	OO 0XXO OX	256 μ s
50000 Bit/s	2 μ s	OXOO	OO XOXO OO	200 μ s
76800 Bit/s	2 μ s	OXOO	OO XXOO OX	128 μ s
93750 Bit/s	2 μ s	OXOO	OO OXOO XX	104 μ s
LAN2:				
62.5 kBit/s	2 μ s	OXOO	OO OXOO XX	104 μ s
187.5 kBit/s	0.125 μ s	XOOO	XX XOXO OX	54 μ s
250.0 kBit/s	0.125 μ s	XOOO	XO 000X OO	40 μ s
500.0 kBit/s	0.125 μ s	XOOO	OO 000X OO	20 μ s

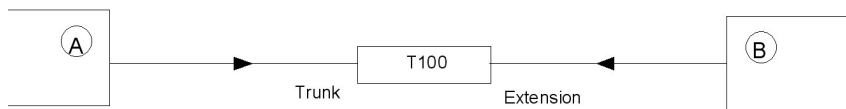
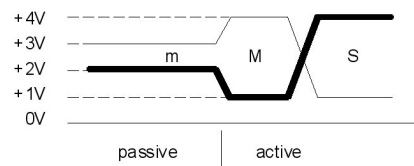
¹⁾ Factory setting

4.5 Impulse diagram



m = Mark passive
M = Mark active
S = Space active

Voltage levels:



The line termination resistors for both subnetworks are set at DIL switches SW3 and

SW4:

SW3 (extension side) and SW4 (trunk side)

u	d	1	2	U (/D)	U (D)	Rm	Rt	
o	o	–	–					open
x	x	o	o	3.54 V	1.15 V	680 Ω	335 Ω	
x	x	x	o	3.15 V	1.55 V	340 Ω	224 Ω	
x	x	o	x	2.88 V	1.82 V	193 Ω	149 Ω	
x	x	x	x	2.78 V	1.91 V	150 Ω	122 Ω	1)

4

x = Switch closed (on)

o = Switch open (off)

– = not relevant

Rm = Middle resistor

Rt = Termination resistance = $R_m // (R_u + R_d)$

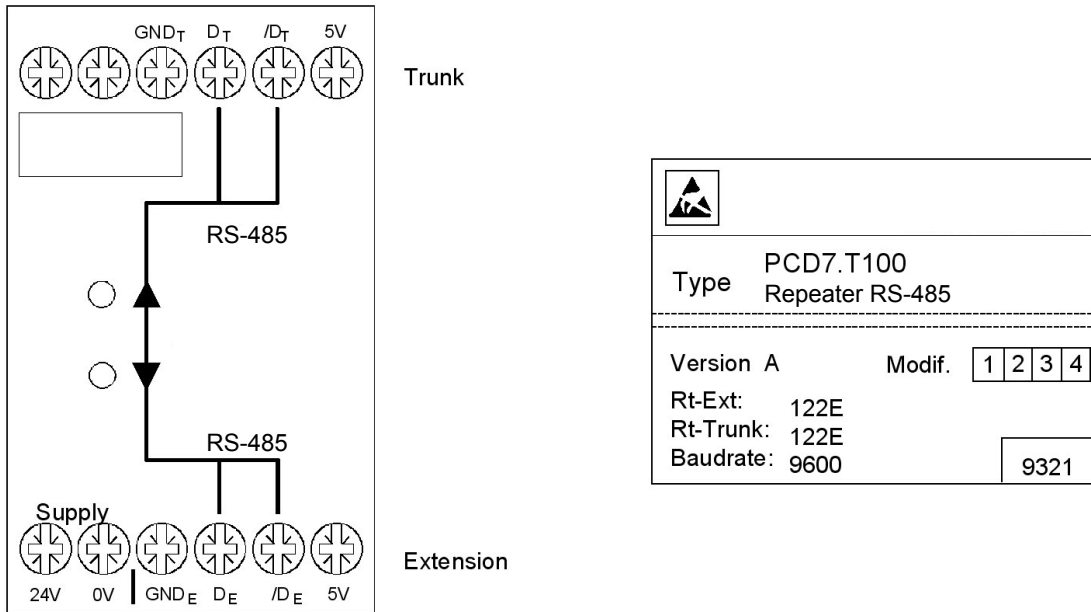
u = R up

d = R down

For higher frequencies (from approx. 100 kHz), jumpers J5 and J10 can be used to bypass filter inductances.

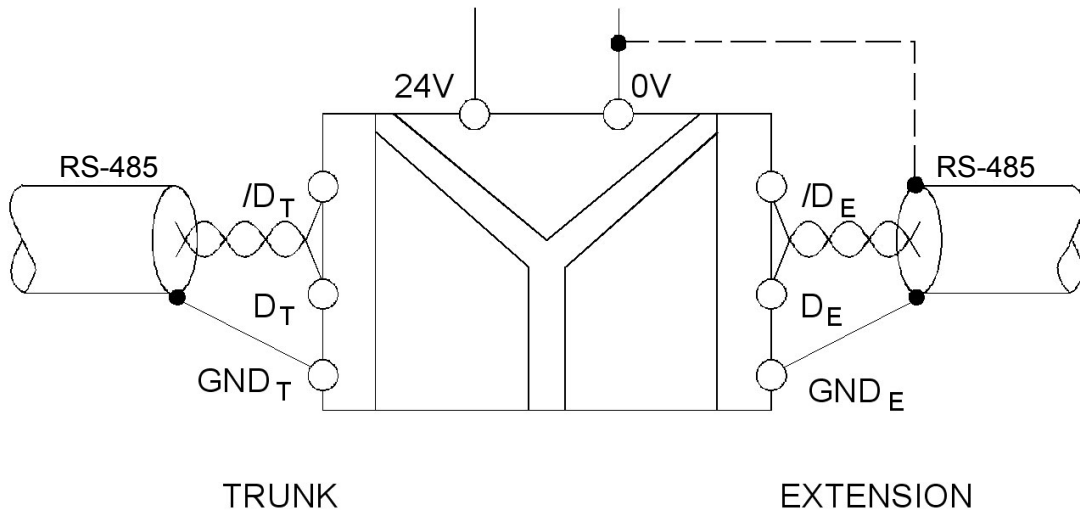
1) factory setting


4.6 Front panel and name plate



4

4.7 Connection



 **Please note:**
 Terminals «GNDT», «GNDE» and «0V» are electrically isolated from each other. To prevent interference, it is recommended that «GNDE» is connected to «0V» of the power supply.

5 Common data

5.1 Supply

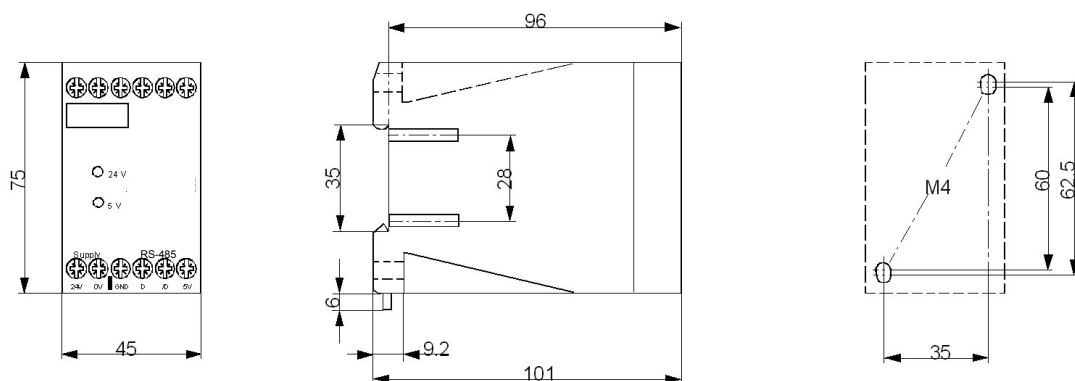
Supply voltage:	24 VDC 19 VAC	+20%/–15% smoothed or ±15% from transformer full-wave rectified
Supply current:	< 100 mA	

5.2 Mechanical description

5

Housing:	Surface mount housing with covered terminals
Front panel:	Plastic cover directly printed with designations of functions and terminals
Fastening:	Rapid fastening on 35mm top hat rail or using M4 screws
Terminals:	12 screw terminals for $2 \times 1.5 \text{ mm}^2$ (multiwire with end ferrule) AWG 13 to AWG 20
Protective class:	Housing IP 40, terminals IP 20
Weight:	approx. 200 g

5.3 Dimension diagrams



5.4 Operating conditions

Voltage for electrical isolation:	500V
Ambient temperature:	-20° C to 55° C
Climatic conditions:	Class E, DIN 40040
Resistance to interference, IEC 801-4:	1 kV with coupling tongs and shielded communications lines 4 kV directly on supply lines
Shake resistance:	Operating safety 4g; mechanical strength 5g; to IEC 68-2-6, test FC in 3 levels at 10...500 Hz for 6 hours
Impact resistance:	50 g; to IEC 68-2-27, 3 impacts in each level

5

5.5 Storage conditions

Temperature	-25°C...+85° C
Humidity	0...95% relative humidity without condensation

5.6 Standards

EIA RS-485, RS-422, RS-232

6 Installation of a network

6.1 Single segment networks

One segment contains max. 32 participating stations.

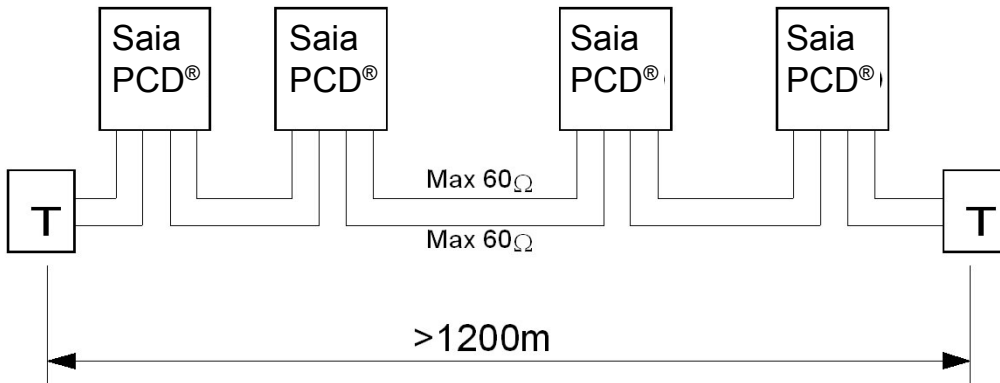
The total length of the bus is dependent on transmission speed and line section:

Line section:		0.22 mm ²	0.5 mm ²
Max. length of one segment:	up to 93,75 kBit/s	1200 m	1200 m
	up to 187,5 kBit/s	600 m	1200 m
	up to 500 kBit/s	200 m	400 m
	up to 1500 kBit/s		200 m
	up to 12 MBit/s		100 m

6

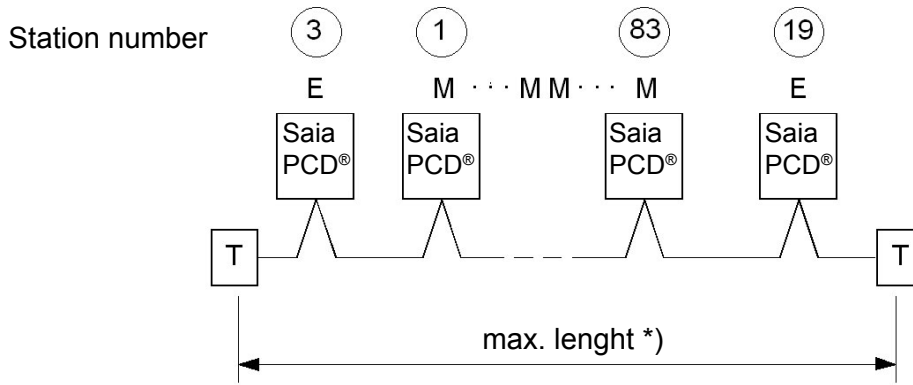
– For SBC S-Bus (only if the baudrate is less then 93,75 kBit/s):

The distance in a segment can be >1200m (up to 11km) if the resistor of both wires is less then 120Ω.



To avoid reflections at the ends of the line, each segment must be terminated at the physical start and end. Bias voltage is also applied to the lines at an equilibrium rest potential. Both measures are achieved either by termination boxes (PCD7.T161 or PCD7.T162) or directly by the termination circuit in the participating station.

The value of the line termination is normally 150 Ω.

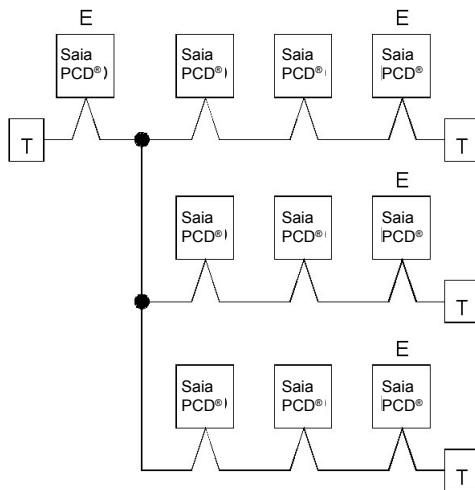


*) Here «max. length» refers to the physical length of the line and not to the distance between endstations.

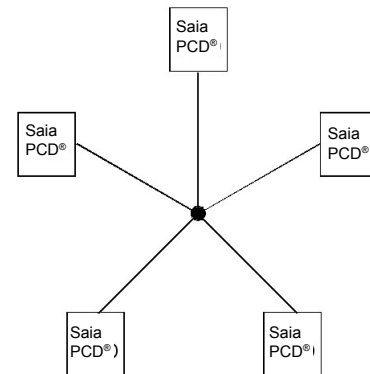
E = End station, M = Middle station, T = Termination Box PCD7.T161 or PCD7.T162

Stations can be numbered between 0 and 254 as desired (Profibus stations can be numbered between 0 and 128). Any segment may contain max. 32 stations. The same station number can only be used once within an RS-485 network. A master station, e.g. in an SBC S-Bus network, can be located in any position.


Stations at the two ends of the bus are called end stations (E), while those between the end stations are called middle stations. Each end of the bus must be terminated either with its own termination box (T161 or T162) or by the built-in termination circuit. Networks may not be branched out without special provisions.



Branched network



Star network

 Networks of this kind are not allowed, as each segment can only have two end stations with the corresponding termination circuit.

6.2 Multi-segment networks

The insertion of repeaters in-line can be used to expand the network.

There are 3 structures: the line structure, the tree structure and the star structure.

It should be noted that a repeater always counts as one station, even if it does not have a station number.

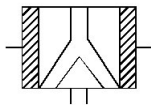
The repeater can be used with SBC LAN2, SBC S-Bus and ProfiBus FMS/DP.

The maximum number of repeaters which can be used in sequence in the signal way is limited:

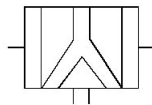
- 7 repeaters for LAN2
- 7 repeaters for SBC S-Bus
- 3 repeaters for ProfiBus

Each individual segment must be terminated at both ends. This is carried out by the repeater termination circuits, which can be either switched in or switched out.

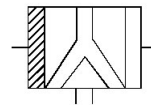
Symbol for a repeater in the following drawings:



Line termination resistors active both sides

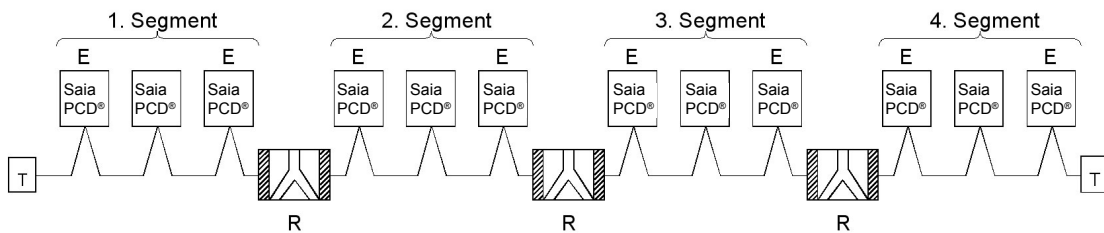


Line termination resistors active both sides

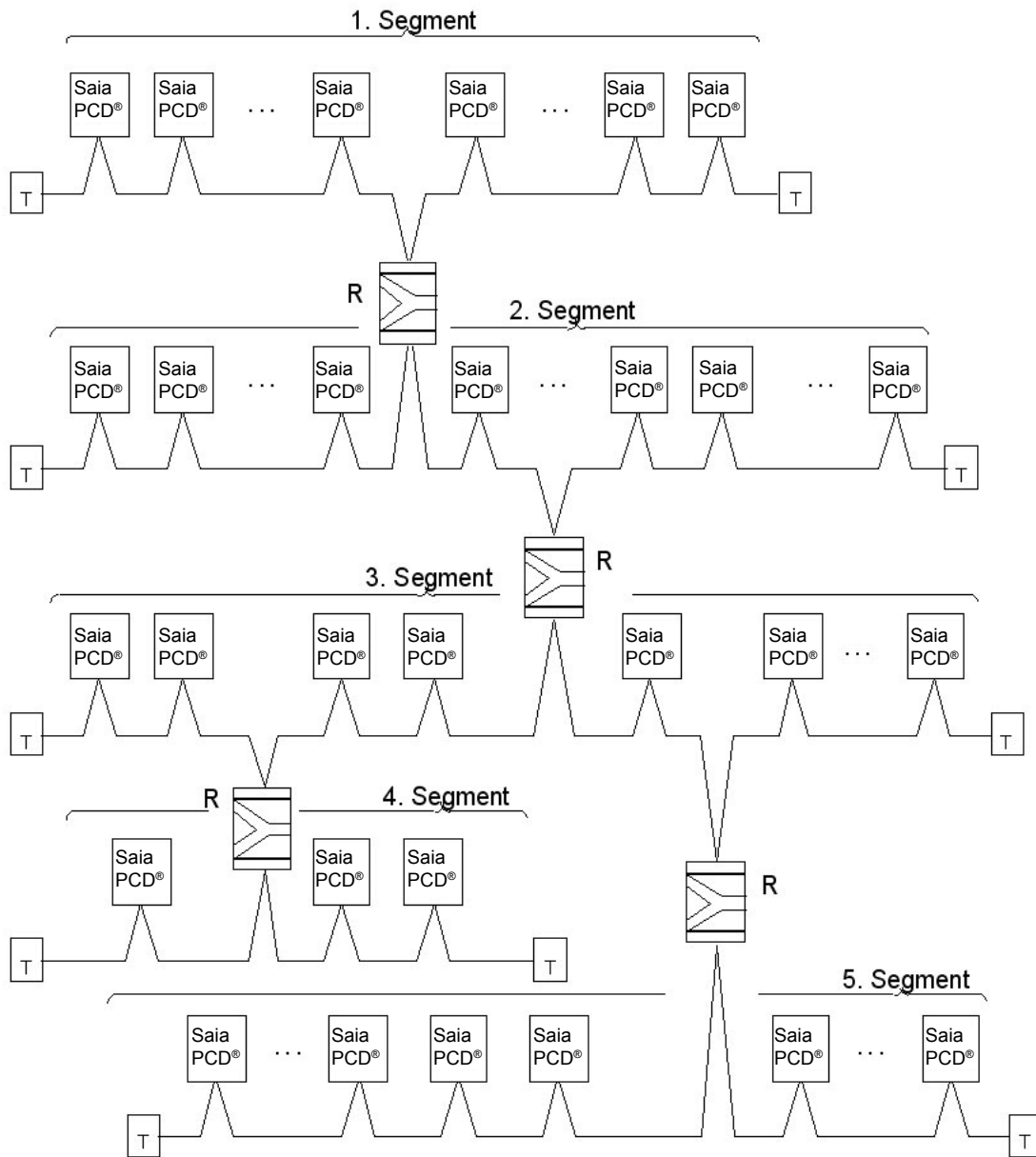


Line termination resistors active left, inactive right

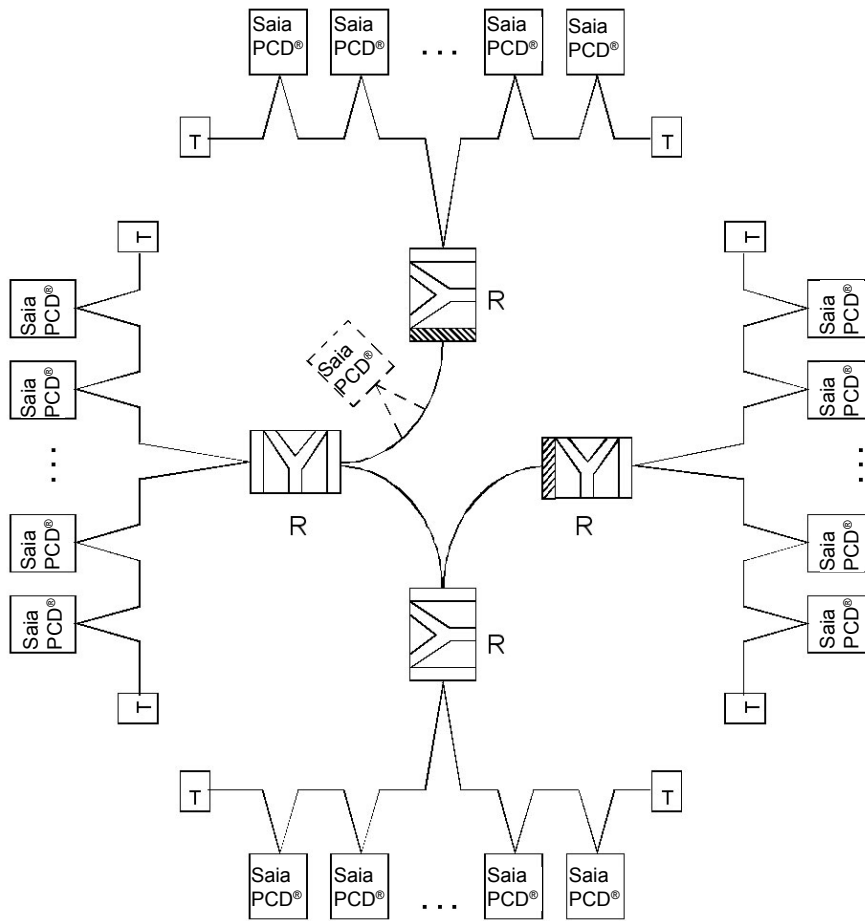
The line structure



The tree structure

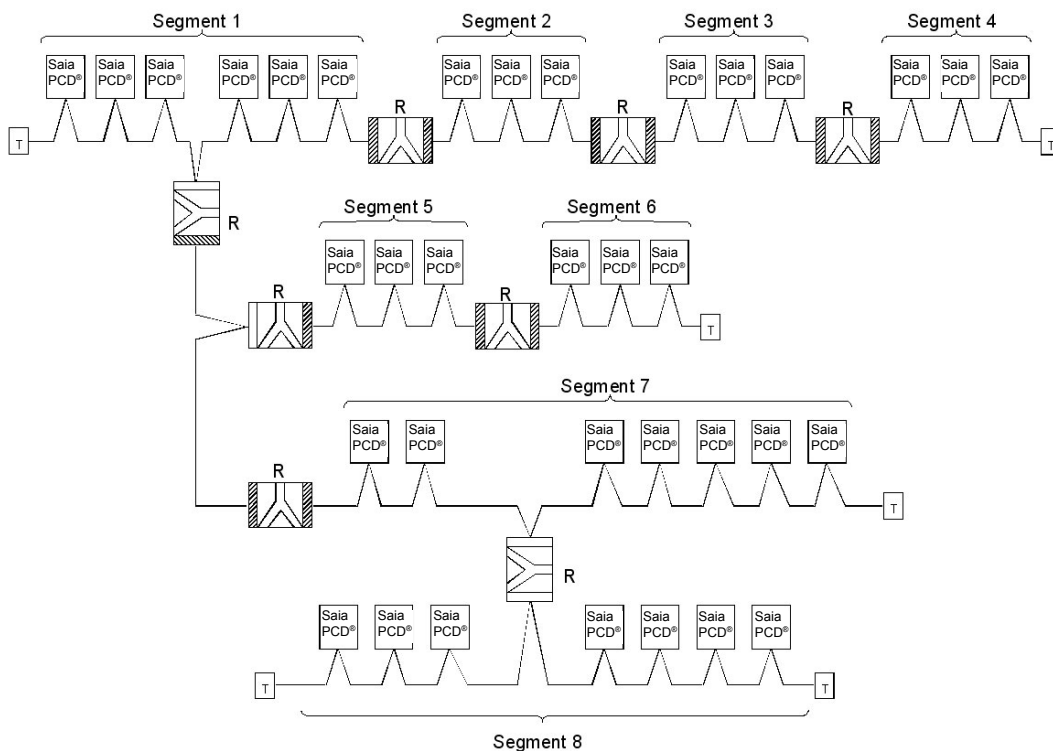


The Star structure

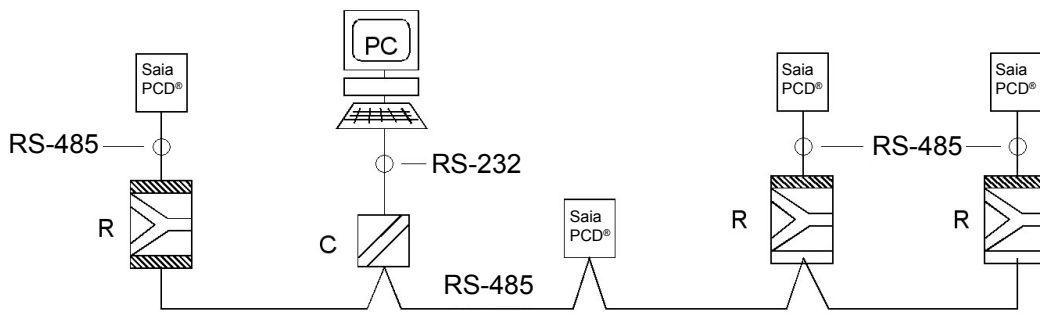
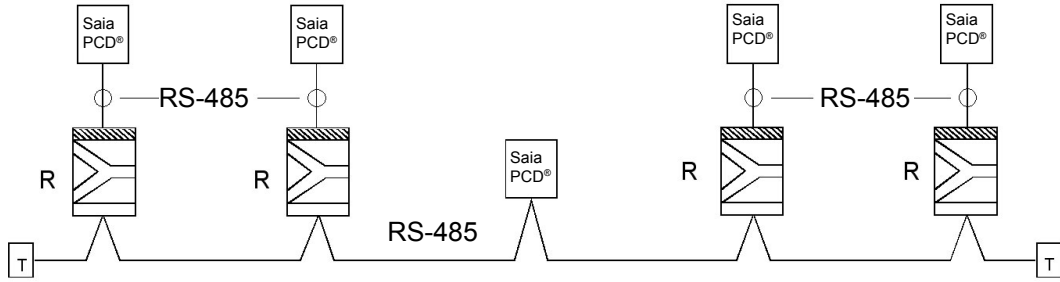


6

A combined structure (for SBC S-Bus or SBC LAN2)

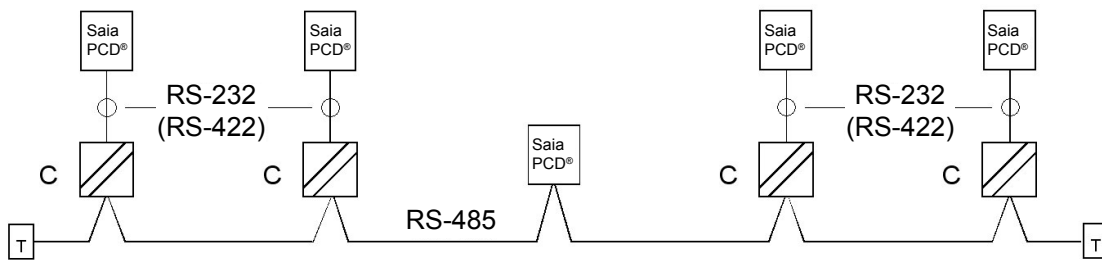


Repeaters can also be used purely to provide electrical isolation for individual stations:



T = Termination Box R = Repeater C = Converter

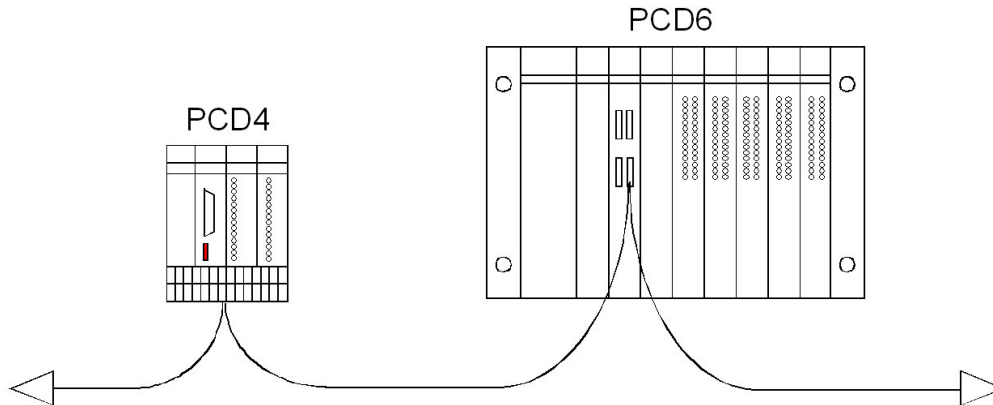
Another solution is to use converters instead of repeaters. The converters also have electrical isolation. On the Saia PCD® side it is possible to use the normal RS-232 interfaces, e.g. the PGU port which is always present.



T = Termination Box R = Repeater C = Converter

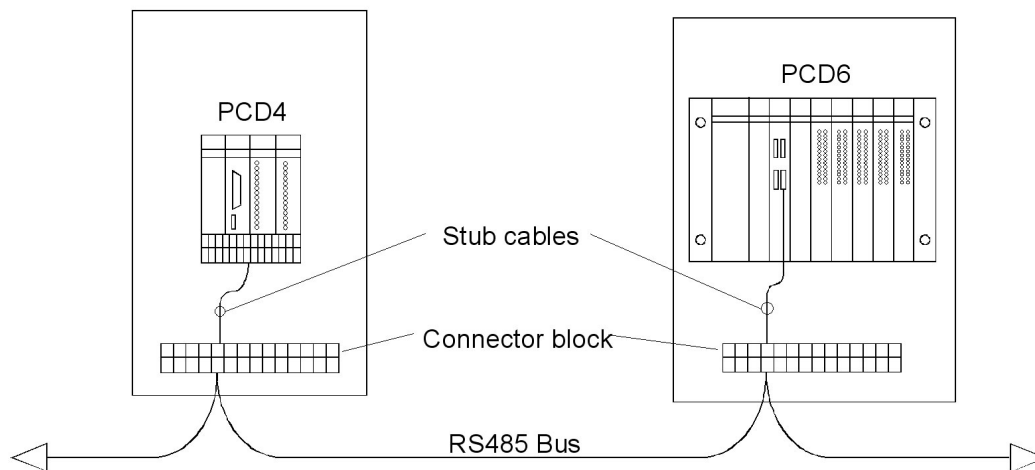
6.3 Stub cables

Basically, bus lines should run directly to the connector or the participating station terminal.



6

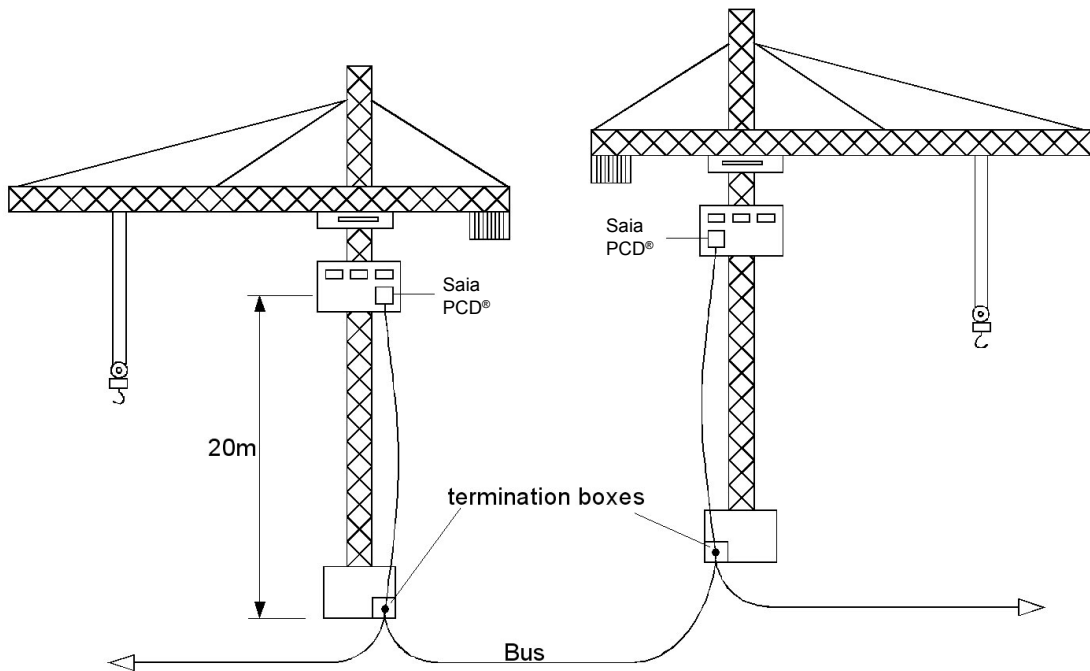
For technical reasons, in a control box the bus is often wired to a connector block, with a stub cable running from it to, for example, the Saia PCD®.



There is a limit to the length of this stub cable!

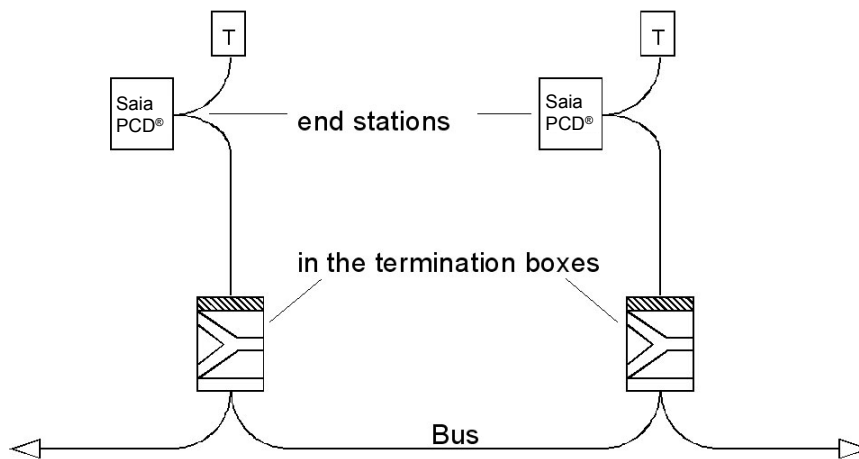
For a shielded line the maximum lengths are:

Bit rate Kbit/s	Length of stub cable. Total per segment in metres
9.6	6.6
19.2	6.6
93.75	6.6
187.5	6.6
500	6.6
1500	6.6
3000	0
6000	0
12000	0

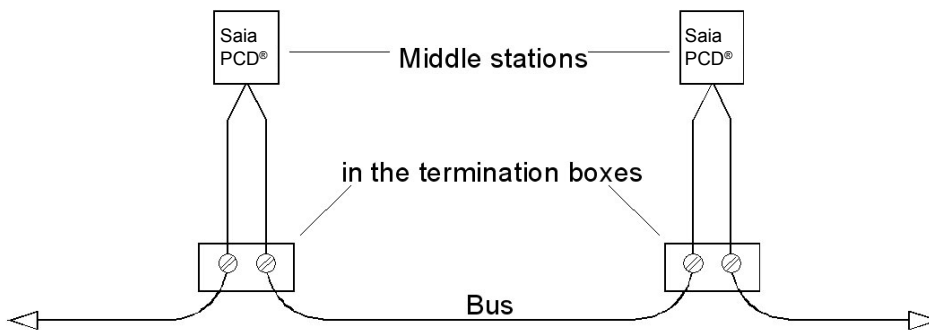


6

Extreme cases with stub lines like the above are not allowed, unless repeaters and termination boxes are used as in the drawing below:



Of course, the Saia PCDs can also be treated as middle stations:



There is no electrical isolation here, with SBC S-Bus or LAN2. Also, the length of the former stub cable is added twice to the total length of the RS-485 bus.

6.4 Physical properties of the network

The RS-485 network uses twisted and shielded two-core wire. The wave resistance should be in the range 100 to 130Ω at $f > 100$ kHz, the cable capacity should be < 100 pF/m and the core section should be at least 0.22 mm^2 (AWG 24). However, a section of 0.5 (AWG 20) or preferably 0.75 mm^2 (AWG 18) is recommended. Maximum signal loss allowed is 6 dB.

Recommendations for proven bus cable:

For SBC S-Bus:

Manufacturer Type:

- CABLOSWISS $1 \times 2 \times \text{AWG}24$
- Kromberg & Schubert 371'502

For ProfiBus:

(Volland AG, Rümlang, Switzerland, offering the following cable types:)

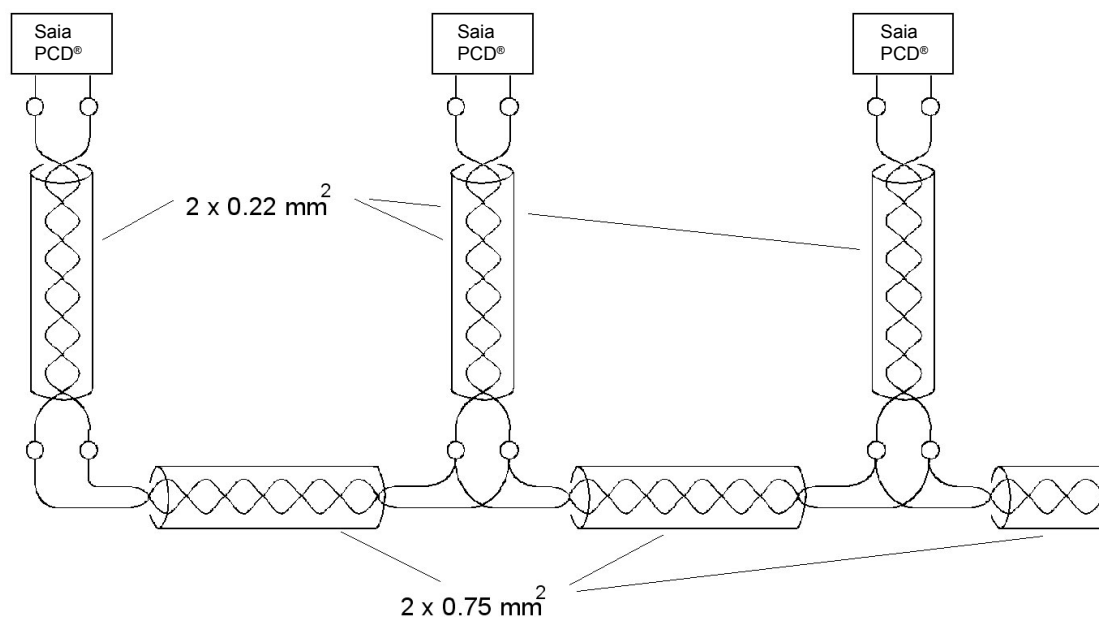
Cable for static installation:

Unitronic bus L2/F.I.P. Volland ref. 2170221

Cable for highly flexible installation:

Unitronic bus FD P L2/F.I.P Volland ref. 2170222

Experience has shown that it is difficult to solder 2×2 cables whose section is 0.75 mm^2 to a 9-pole D-type connector. The «main» bus should therefore be wired to terminals, as shown in the drawing below, from which a more manageable cable runs as a short stub cable to the Saia PCD®. For maximum length of stub cable see section 6.3.

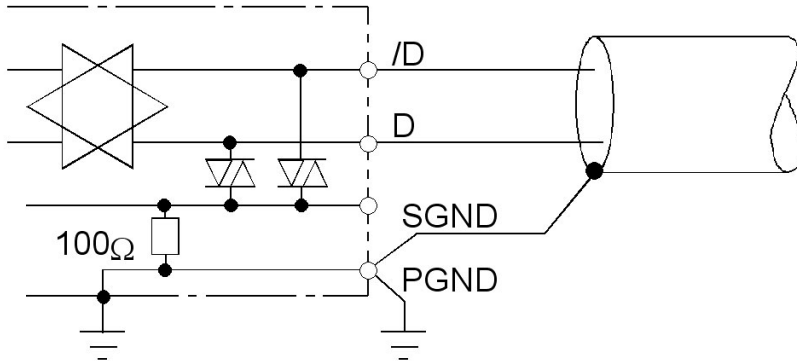


When connecting the bus, strict care should be taken not to mix up the data lines D and /D, i.e. always connect D to D and /D to /D.

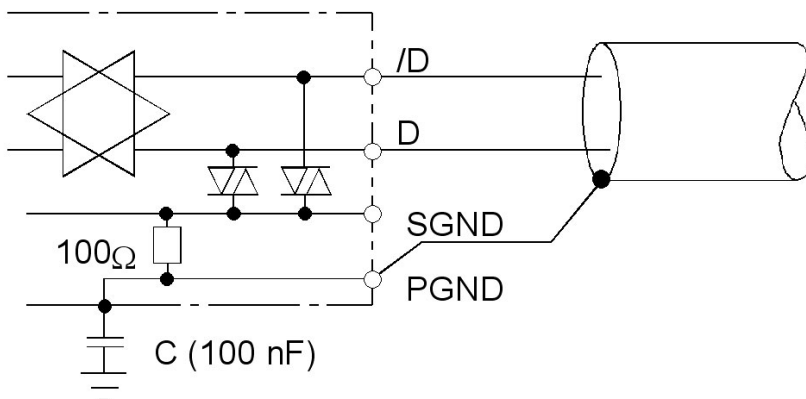
6.5 Grounding plans

The following rules are to be applied:

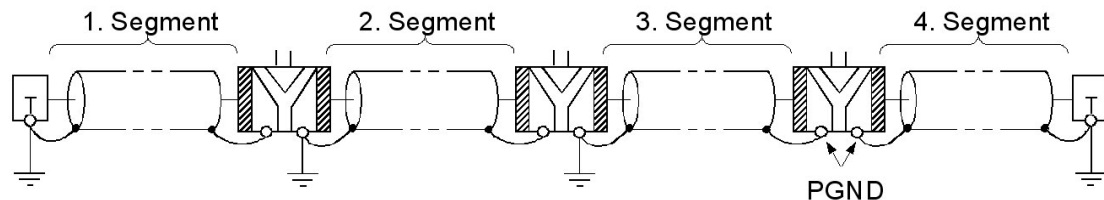
- 1) The shield of the RS-485 bus cable must be connected to PGND resp. GND on each device.
- 2) The 0V resp. the minus terminal of a Saia PCD® must be wired directly (3a) or by a capacitor (3b) to earth (⊥).
- 3a) Internal in the device, the SGND and the PGND should be connected together (direct or via 100Ω)



3b) In the case of a not earthed installation, a resistor of 100Ω must be put between SGND and PGND. The PGND must be wired to earth.



4) In the case of the repeater, all shields must be connected to PGND. The shield of the bus cable must be wired to earth on one side only.



Explanations:

PGND or GND	Protective Ground	Shield
SGND	Signal Ground	
⊥	Ground	

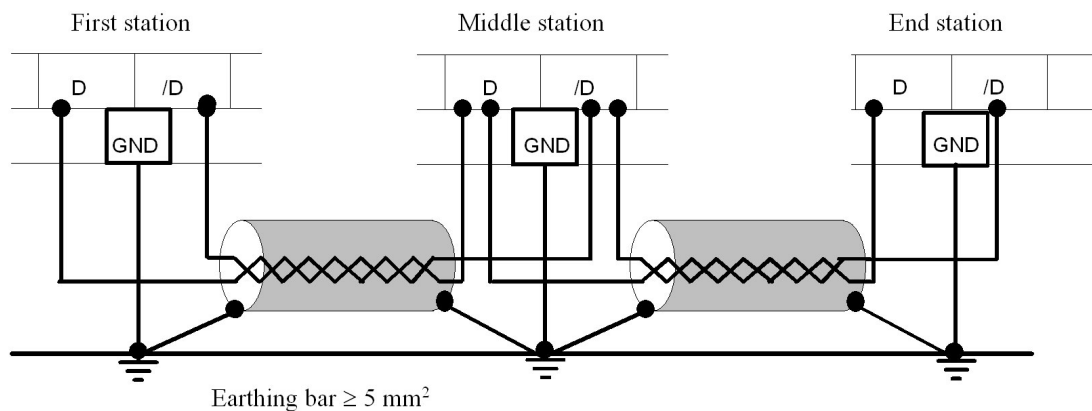
6.5.1 Network structure with tied potential

In this case, the grounding of all participating stations on the bus is rigidly tied, i.e. there can be no differences in earth potential between the different stations. The upper limit for permissible deviation is a static value of 3V, or a dynamic value of 1V.

Before designing the installation, it is necessary to clarify exactly whether the requirements on differences in earth potential are met throughout the whole network, or can be achieved with justifiable expense.

If these requirements can only be achieved in parts of the network (in the same room, on the same floor, in the same building) a mixed layout may be envisaged with electrical isolation between the separate parts.

The basic structure of a network with tied potential is shown in the following drawing.




On both sides of each section, shielding must be laid along the earthing bar or potential equalization line. The earth connection (GND) should run to the same point.

The equalization line runs parallel to the RS-485 bus cable and should have an adequate section ($> 5 \text{ mm}^2$).

6.5.2 Network structure with separate potential

Individual segments can be installed with electrical isolation, as can individual, some or all stations.

Electrical isolation is achieved by optoelectronic couplers, supplied from electrically isolated power supplies. Strict care should be taken during installation not to make any electrical connections between the individual groups.

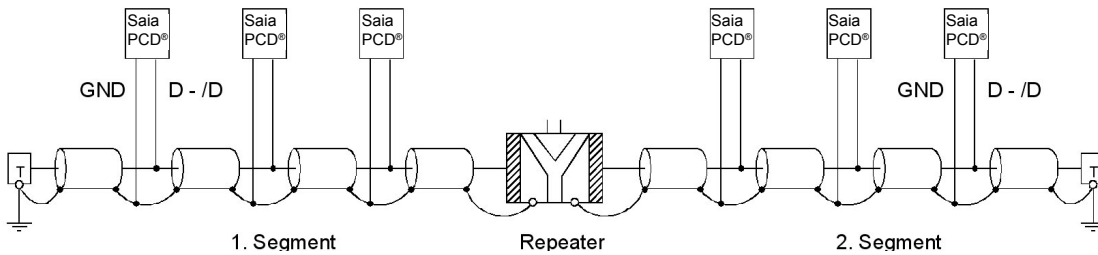


Bus cable shielding should only be earthed on one side of a segment!

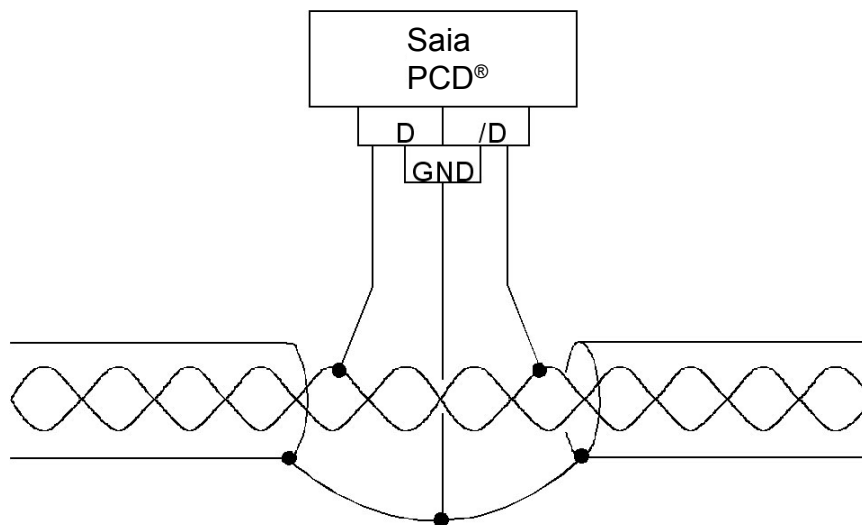
Electrical isolation of segments is achieved with the PCD7.T100 repeater. Electrical isolation of individual stations is provided either by the repeater also, or by a PCD7.T120/T140 converter. See also section 6.2.

6

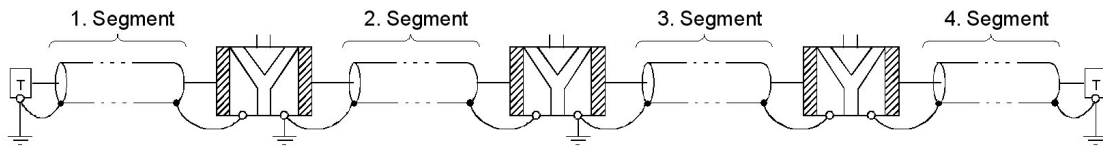
The following drawing shows the basic structure of a network with 2 electrically isolated segments:



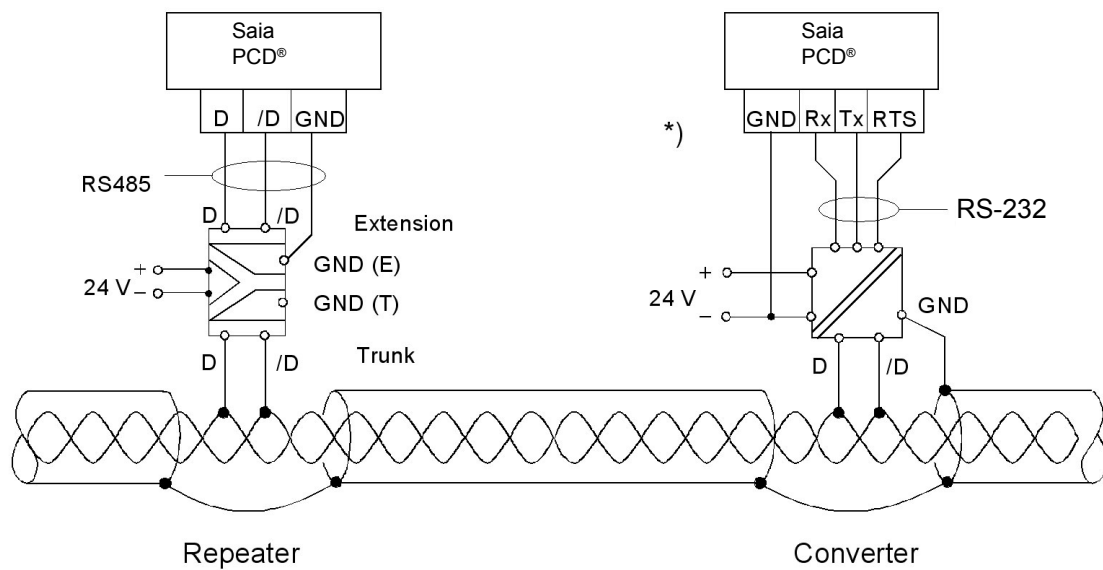
The earth connection (GND) of each individual Saia PCD® should be connected to the shielding.



If a network consists of several segments, the middle segments should be earthed on one side at a repeater, so that each segment is connected to earth at a single point.



If individual stations must be electrically isolated from the bus, they should be wired up as follows:



*) Within the Saia PCD®, the «GND» terminal is connected with the minus of the Saia PCD® supply.

6.6 Attributes and components for individual networks

SBC S-Bus, SBC LAN2 and ProfiBus RS-485 networks, which are used in connection with the Saia PCD[®], have to some extent their own components and attributes, such as repeaters, line termination resistors, electrical isolation, etc. These are explained below.

6.6.1 SBC S-Bus

SBC S-Bus is connected to the standard interfaces of the Saia PCD[®] processor modules. For direct bus connection an RS-485 interface is used. There is normally no electrical isolation of these RS-485 interfaces in any of the Saia PCD[®] family! If an electrical isolation is required then use the module PCD7.F150 (PCD1, 2, 4 and 6).

6

SBC S-Bus is described in detail in the manual 26/739.

- For the PCD6, processor module PCD6.M300, channel 1...4 or processor PCD6.M540, channel 1 should be selected. SBC S-Bus connection is via D-type connectors at the front of the processor module.
- For the PCD4, bus module PCD4.C130, channel 1 or bus module PCD4.C340, channel 1, 2, 3 with PCD7.F110/F150 and a CPU of the type M125, M145, M240, M340 or M445 should be used. Connection is to the bus module screw terminals. A line termination resistance of 120 Ohm and pull-up/pull-down resistors can be selected with jumpers on the bus module terminals.
- For the PCD2, it is possible to use the standard PGU interface, channel 0, and either interface no. 1 with the PCD7.F110/150 add-on module, or interface no 3 with the PCD2.F520/530 add-on module. Connection is via screw terminals.
- For the PCD1, it is possible to use the standard PGU interface, channel 0, and either interface no. 1 with the PCD7.F110/150 add-on module.

The often required galvanic separation in industrial installations can be achieved for the PCD2 and for the PCD4 (PCD4 together with the bus module PCD4.C340) with the plug-in interface module PCD7.F150 or with the repeater PCD7.T100.

Details on the individual interfaces and processors can be obtained from the appropriate hardware manuals.

6.6.2 SBC LAN2

The SBC LAN2 is a Saia PCD®-specific multimaster network with its own processor modules. LAN2 processors are not electrically isolated from the bus.

- For the PCD6, the simple PCD6.T100 LAN2 processor and PCD6.T110 LAN2 processor are offered as station and repeater. Bus connection is via 9-pole, D-type connectors at the front of the modules. Both processors have jumper selectable line termination resistors. The PCD6.T110 has built-in pull-up/pull-down resistors. For details see the PCD6 hard-ware manual.
- For the PCD4, the PCD4.M340 processor should be used. Busconnection here is via the screw terminals on each bus module. Every processor has line termination, pull-up and pull-downresistors which can be set individually. For details see the PCD4hardware manual.
- The PCD2 cannot be connected to SBC LAN2.

6.6.3 ProfiBus

ProfiBus processors are always electrically isolated from the bus.

ProfiBus DP is described in detail in the manual 26/765 and ProfiBus FMS is described in detail in the manual 26/742.

ProfiBus FMS

- For the PCD4, processor module PCD4.M445 is offered. ProfiBus connection is via a separate 9-pole, D-Sub connector at the front of the module.
- The ProfiBus FMS connection for PCD2 and PCD6.M300 is realised with the plugable module PCD7.F700. For the PCD2, the wiring is done by the terminal 30 to 39. For PCD6.M300 the connection is via the 9 pole D-SUB connector of the port 3.

ProfiBus DP

- The ProfiBus DP connection for PCD1, PCD2 and PCD6.M300 is realised with the plugable modules:
 - PCD7.F750 for DP-master.
 - PCD7.F770 / F772 / F774 for DP-slave

For the PCD2, the wiring is done by the 6 pole connector on the F7xx module.
For PCD6.M300 the connection is via the 9 pole D-SUB connector of the port 3.

7 Commissioning a network

Once a network has been constructed, it must be commissioned. This is carried out in 2 phases:

- 1) Setting and checking all line termination, pull-up and pull-down resistors. Checking that the bus line is passable, then application of supply voltages and measurement of equilibrium rest potentials at all participating stations. These tests are referred to as the static tests.
- 2) Checking communications connections between all stations or between the master and slave stations using a simple, propositional test program. This is the dynamic test.

7.1 Static tests

7

Before connection of participating stations, termination boxes, converters and repeaters, the bus lines must be checked for passability and mixed wires. It is important that no line termination, pull-up or pull-down resistors should be connected for these tests.

All participating stations, termination boxes, converters and repeaters are then connected in the manner described above. It is highly recommended that a list should be made of the configurations of each individual component in the installation. This will avoid the necessity, at a later date, of opening each individual housing to establish jumper positions or DIL switch settings. For this purpose, individual components should be identified on the front panel marking plate.

Once the network is completely installed and all installation components have been configured, the supply voltages are switched on. However, during this phase no communication of any kind should take place on the bus.

At the terminals of each station, a voltmeter is used to measure off-load voltages between the bus lines on the one hand and, on the other hand, between the individual bus lines and the reference ground. As mentioned often before, each bus segment should be terminated on both sides. The line termination resistance to select depends on the physical length of the bus. The values are given here once again:

The factory setting of the termination resistors is 122Ω . This setting is suitable for almost all cases and should not be changed.

If in practice there are a lot of telegram repetitions, a try with other termination resistors can be done.

7.2 Dynamic tests

SBC S-Bus is a single-master-multi-slave network, i.e. all actions are initiated by the master station. During commissioning the master station sends a sequence of short, propositional write and read telegrams to each individual station in the network. In each case checks must be made to establish whether the actions have been correctly executed on the basis of individual telegrams.

The simplest form of test telegram is to set some of the slave station out-puts. These outputs can be checked visually or a read telegram can be returned to the master station for evaluation. The same can of course also be done with flags and register values, although this demands greater use of devices for the visual check. It is also possible to change and read back the status of a slave station, instead of its elements.

Telegram structuring and additional advice on commissioning can be found in the SBC S-Bus manual. In particular, the possibilities for registering repeat telegrams should be exploited, as they are a measure of the network's transmitting quality.

7

An SBC S-Bus analyser is available. This analyser is a software running under DOS on an IBM-PC. The description is part of the package. The PC should be equipped with 2 serial ports RS-232. A special cable for the 2 serial ports and the connection to the SBC S-Bus is part of this equipment.

7.2.1 SBC LAN2

SBC LAN2 is a multi-master network, i.e. each station can send telegrams to all other stations and can also receive telegrams from all other stations. During commissioning, a full check would be to transmit both read and write telegrams from each station to all the others and the effects of each telegram would have to be checked. In the case of a network with 16 stations, this would result in 240 telegrams! It is for the operator of the installation to judge whether all stations should be checked in all directions or whether, for example, only the two end stations should send telegrams to all the other stations.

Telegram structuring and additional advice on commissioning can be found in the PCD6 and PCD4 hardware manuals. In particular, the possibilities for constructing repeat telegrams should be exploited, as they are a measure of the network's transmitting quality.

7.2.2 ProfiBus

The same rules apply by analogy as for SBC S-Bus und LAN2.

Commissioning rules specific to ProfiBus will be drawn up in due course and added here.

A ProfiBus-Analyser in form of a add on PCMCIA card and a software package for the IBM-PC is available.

7.2.3 Connection of non SBC devices

On SBC devices, the signal lines are named D, /D resp. Rx, /Rx and Tx, /Tx.
Non SBC devices are often named like D- und D+ resp. +Rx, -Rx and +Tx, -TX.
This can cause some confusions.

7

Normally, the following symbols are used:






SBC		Non SBC devices
D	→	D-
/D	→	D+
Rx	→	-Rx
/Rx	→	+Rx
Tx	→	-Tx
/Tx	→	+Tx

Recommendation from the practice:

If the installation seems to be correct, but it is not possible to transfer any telegrams, try to change the data lines!

A Appendix

A.1 Icons

	In manuals, this symbol refers the reader to further information in this manual or other manuals or technical information documents. As a rule there is no direct link to such documents.
	This symbol warns the reader of the risk to components from electrostatic discharges caused by touch. Recommendation: Before coming into contact with electrical components, you should at least touch the Minus of the system (cabinet of PGU connector). It is better to use a grounding wrist strap with its cable permanently attached to the Minus of the system.
	This sign accompanies instructions that must always be followed.
	Explanations beside this sign are valid only for the Saia PCD® Classic series.
	Explanations beside this sign are valid only for the Saia PCD® xx7 series.

A.2 Contact**Saia-Burgess Controls AG**

Bahnhofstrasse 18
3280 Murten
Switzerland

Phone +41 26 672 72 72

Fax..... +41 26 672 74 99

Email support: support@saia-pcd.com

Supportsite: www.sbc-support.com

SBC site: www.saia-pcd.com

International Representatives &

SBC Sales Companies: www.saia-pcd.com/contact

Postal address for returns from customers of the Swiss Sales office**Saia-Burgess Controls AG**

Service Après-Vente
Bahnhofstrasse 18
3280 Murten
Switzerland

A