

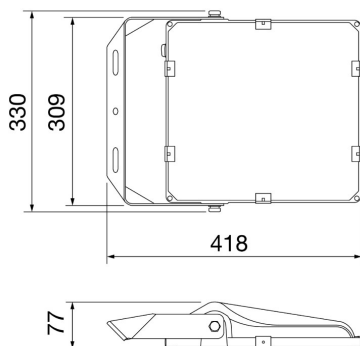
### ELIA FL - Floodlight LED



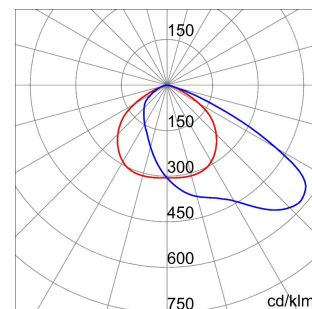
ELIA FL is a LED outdoor floodlight available in low, medium and high power versions for lighting external industrial areas, such as car parks and walkways or driveways. It can be mounted on surfaces, ceilings or on the ground using the adjustable steel bracket supplied with the device, or in the pole head version, courtesy of the dedicated accessory for poles with a diameter of up to 61mm. Crafted from black powder-coated die-cast aluminium, it is available in four sizes and powers, with integrated power supply in the On/Off or DALI options, three types of optic (30°, 60° and asymmetrical) with a colour temperature of 4,000K (neutral white) and a colour rendering index of more than 80. Tough and durable, ELIA FL has been designed to withstand surges of up to 10KV and temperature variations from -30 °C to + 50 °C, and offers protection from water and dust penetration of up to level IP66 and from shocks and impacts of up to level IK08. ELIA FL is quick and easy to install thanks to its limited weight and adjustable bracket.

GENERAL INFORMATION		OPTIC AND ILLUMINATING FEATURES	
Context	Industry, Logistic, Façade, Sport	Optic	Asymmetrical
Luminaire	LED luminaire with small, mid and high lumen power	Unified Glare Rating	ULOR = 0%
Application	Indoor / Outdoor	Lumen output (lm)	13000
Unique digital code (Datamatrix)	Currently not present	Efficiency (lm/W)	130
Colour	Black	Colour temperature	4000 K
Type of light source	LED - Not replaceable	Color Rendering Index	CRI 80
System power	100 W	Standard Deviation Colour Matching	SDCM = 5
LED Lifetime	L80B50 (Tq25°) = 89.000h	Photobiological Risk Class	RG0
Weight (kg)	3.9	Standard	-
Warranty	5 years	ELETRICAL AND LIGHTING FEATURES	
Stocking temperature	-40° +85°	Supply voltage	100-240 V
Operating temperature	-30° +50°	Rated frequency (Hz)	50 / 60
MATERIALS		Driver	Included
Body	Die-cast aluminium	Driver failure rate	F05 = 82.000h Tq 25°C
Shield type	Flat silked tempered glass 4mm thick with Gewiss logo	Overvoltage protection	Overvoltage protection 10-6kV
Optic	With high efficiency optic system	Control System	ON OFF
Gasket	-	INSTALLATION AND MAINTENANCE	
Locking Hook	-	Mouting and installation	Ceiling - Wall - Floor
External screw	Stainless steel	Tilt	With adjustable bracket assembled
Colour	Powder coating	Wiring	With power cable
STANDARDS AND APPROVALS		Fixing	-
Classification	-	Optic Maintenance	Not available
Device with reduced surface temperature	-	LED Maintenance	Not available
DIN 18032-3 certification	-	Driver Box	Built-in
IPEA	-	Maximum surface exposed to the wind	0.1 m²
Insulation class	I	-	-
IP degree	IP66	-	-
Mechanical resistance	IK08	-	-
Glow Wire Test	750 °C	-	-

### DIMENSIONAL



### PHOTOMETRIC DISTRIBUTION



### TECHNICAL SYMBOLOGY



IP

IP66

IK

IK08

GWT

750 °C

### STANDARDS/APPROVALS

Data, measures, designs and pictures are for information purpose only, last update 09/04/2021. They can be changed at any moment, therefore it is always recommended to read the last updated version published on the website [www.gewiss.com](http://www.gewiss.com). Lumen output and system power are subject to a tolerance of +/- 10%. Unless stated otherwise, the values apply to an ambient temperature of 25°C. Terms of warranty at <https://www.gewiss.com/it/en/company/landingpage/led-warranty>. - 1 of 2



Product Data Sheet  
GWF1100MC840

ELIA FL - Floodlight LED

