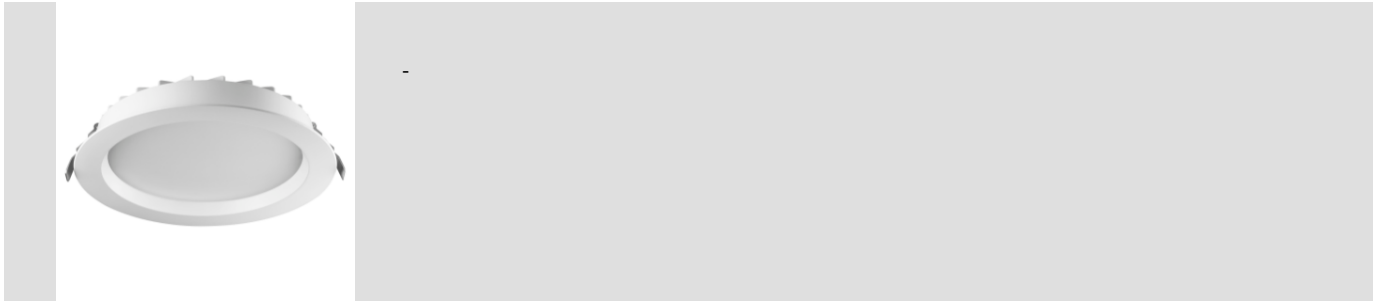
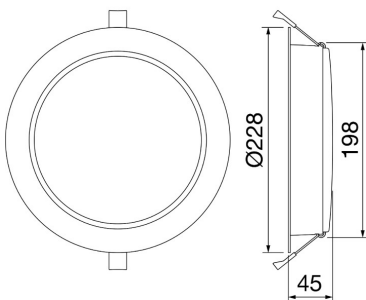


ELIA DL - Downlight LED

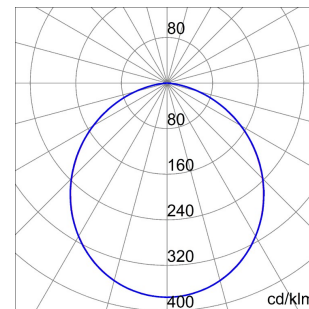


GENERAL INFORMATION		OPTIC AND ILLUMINATING FEATURES	
Context	Office	Optic	Wide opal
Luminaire	LED luminaire for diffuse light	Unified Glare Rating	-
Application	Internal	Lumen output (lm)	3550
Unique digital code (Datamatrix)	Currently not present	Efficiency (lm/W)	101
Colour	White	Colour temperature	4000 K
Type of light source	LED - Not replaceable	Color Rendering Index	CRI 80
System power	35 W	Standard Deviation Colour Matching	SDCM = 3
LED Lifetime	L80B50 (Tq25°) = 50.000h	Photobiological Risk Class	RG0
Weight (kg)	0.8	Standard	-
Warranty	5 years	ELECTRICAL AND LIGHTING FEATURES	
Stocking temperature	-20° +65°	Supply voltage	220-240 V
Operating temperature	-20° +45°	Rated frequency (Hz)	50 / 60
MATERIALS		Driver	Included
Body	Die-cast aluminium	Driver failure rate	F025 = 50.000h Tq 25°C
Shield type	Polycarbonate	Overvoltage protection	Overvoltage protection 1kV
Optic	-	Control System	ON OFF
Gasket	-	INSTALLATION AND MAINTENANCE	
Locking Hook	-	Mouting and installation	Modular flush-mounting
External screw	-	Tilt	-
Colour	Powder coating	Wiring	With connection terminal on driver
STANDARDS AND APPROVALS		Fixing	-
Classification	-	Optic Maintenance	Not available
Device with reduced surface temperature	-	LED Maintenance	Not available
DIN 18032-3 certification	-	Driver Box	Independent driver unit
IPEA	-	Maximum surface exposed to the wind	-
Insulation class	II	-	-
IP degree	IP40 - IP54	-	-
Mechanical resistance	IK06	-	-
Glow Wire Test	650 °C	-	-

DIMENSIONAL



PHOTOMETRIC DISTRIBUTION



TECHNICAL SYMBOLOGY



IP

IP40 - IP54

IK

IK06

GWT

650 °C

STANDARDS/APPROVALS



Data, measures, designs and pictures are for information purpose only, last update 12/04/2021. They can be changed at any moment, therefore it is always recommended to read the last updated version published on the website www.gewiss.com. Lumen output and system power are subject to a tolerance of +/- 10%. Unless stated otherwise, the values apply to an ambient temperature of 25°C. Terms of warranty at <https://www.gewiss.com/it/en/company/landingpage/led-warranty>. - 1 of 2



Product Data Sheet
GWF1510QA840

ELIA DL - Downlight LED

