

IQ41x Series Controllers



BACnet™ is a trademark of ASHRAE.

Description

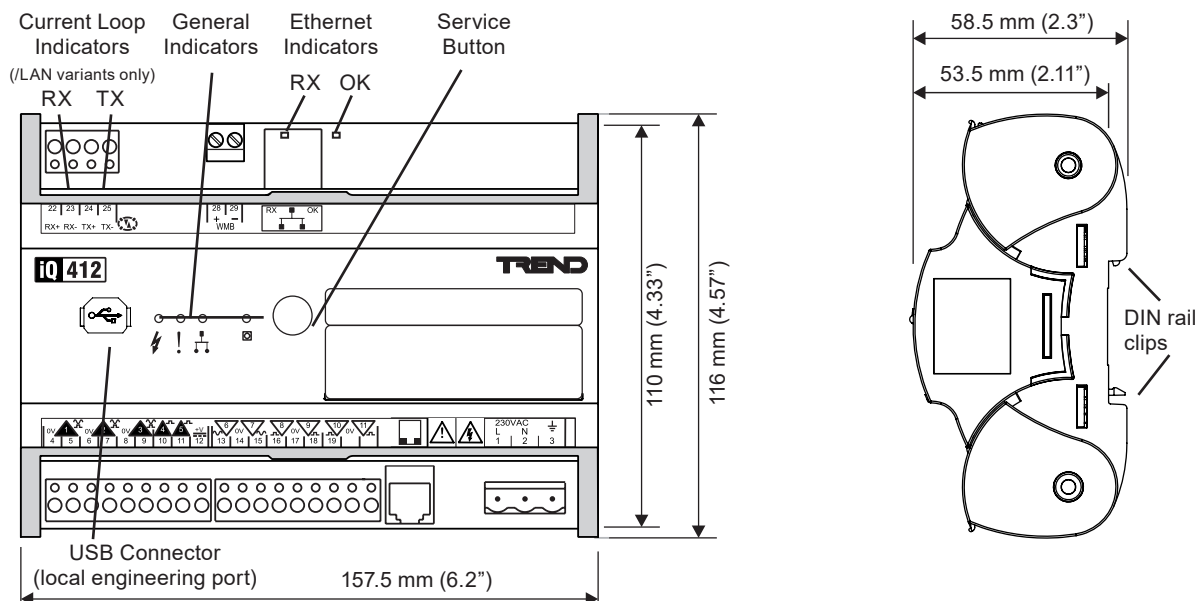
The IQ™41x Series Controllers have 5 inputs (3 universal, 2 digital) and 6 outputs. The IQ411 has 6 solid state digital outputs, and the IQ412 has 4 solid state digital outputs and 2 analogue outputs.

The IQ41x series uses Ethernet and TCP/IP networking technologies with embedded XML and is fully compatible with other Trend IQ controllers. Trend communications over a current loop LAN and support for BACnet over IP are available as options. A local PC or display can be connected to the RS232 port. A Wallbus port is also provided for use with room displays.

Features

- 11 onboard I/O channels - 5 inputs and 6 outputs
- Ethernet 10/100 Mbps main network with TCP/IP protocol
- Trend current loop LAN option
- Embedded XML Web Services as standard
- BACnet over IP option (certified BACnet Building Controller (B-BC))
- Wallbus for connection of room displays
- RS232 and USB local supervisor/engineering ports
- Automatic time synchronisation and daylight saving via SNTP
- DIN rail mounting, DIN 19 size 2 standard enclosure
- 230 Vac or 24 Vac input power supply options
- Features to replace IQ211, IQ212, and IQ7x Series controllers
- Optional interfacing to Serial/IP MODBUS, and M-Bus devices.
- Retrofit mounting plate and cable extender accessories

Physical

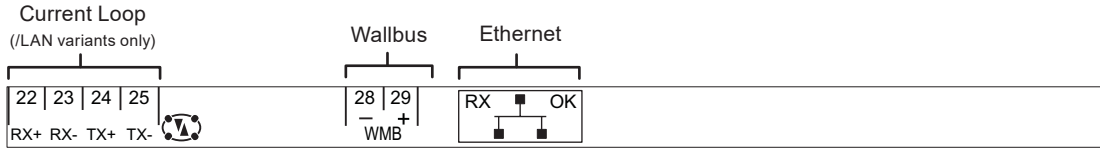


Physical (continued)

Terminal Labels

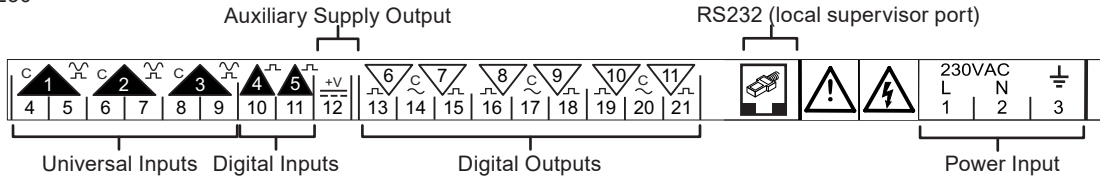
Upper Label

IQ411 and IQ412

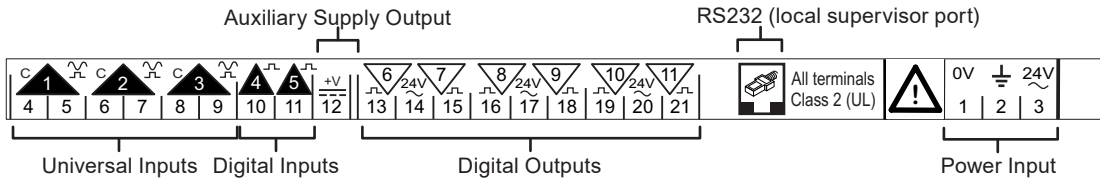


Lower Labels

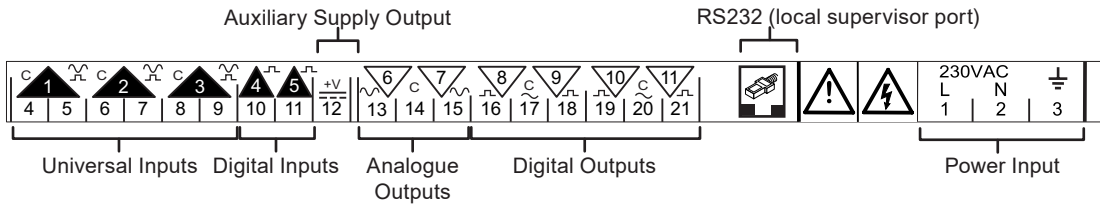
IQ411/230



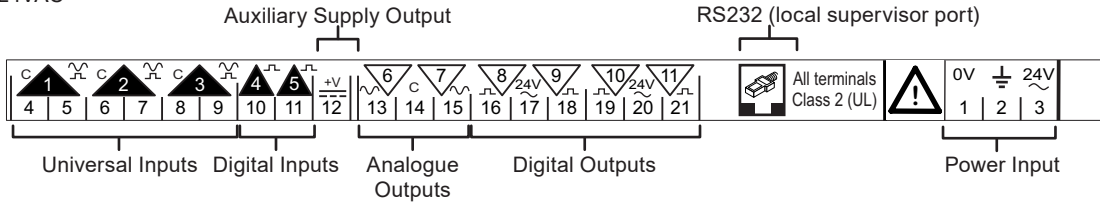
IQ411/24VAC



IQ412/230



IQ412/24VAC



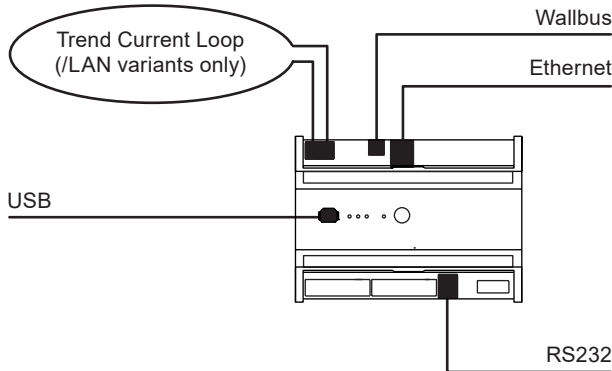
Note: The IQ412 differs from the IQ411 only in the output types available.

FUNCTIONALITY

The IQ41x functionality can be divided into four sections: System, Hardware, Firmware, and Strategy.

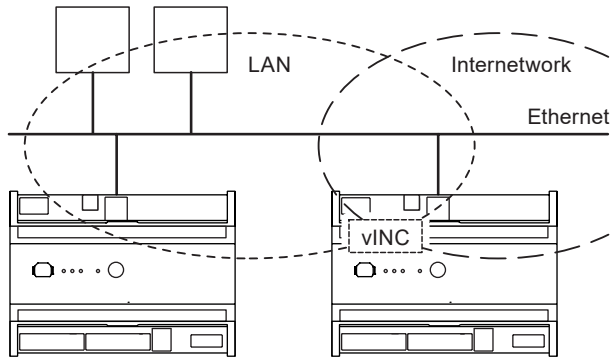
SYSTEM

The IQ41x controllers have communication ports for Ethernet, USB (Local Engineering) and RS232 (Local Supervisor). In addition /LAN variants have a Trend current loop:



Ethernet

On units that do not have the current loop option (or on /LAN variants that have the current loop disabled) the IQ41x can form a Trend LAN with other devices over the Ethernet network.



In addition, the IQ41x has the ability to join an internetwork using its virtual INC (see 'Networking' on page 4 for further details).

Other devices connected to the Ethernet network can communicate with the IQ41x using IP addressing. Remote PCs can communicate through standard IT networks using IP, enabling communication from anywhere in the world.

Note: Communication with the Trend network by a supervisor, tool or display will require the use of a virtual CNC (vCNC) in the IQ41x or another CNC on the network (see 'Networking' on page 4 for further details).

An integral web interface is also accessible over an Ethernet/IP connection (see 'Ethernet' on page 3).

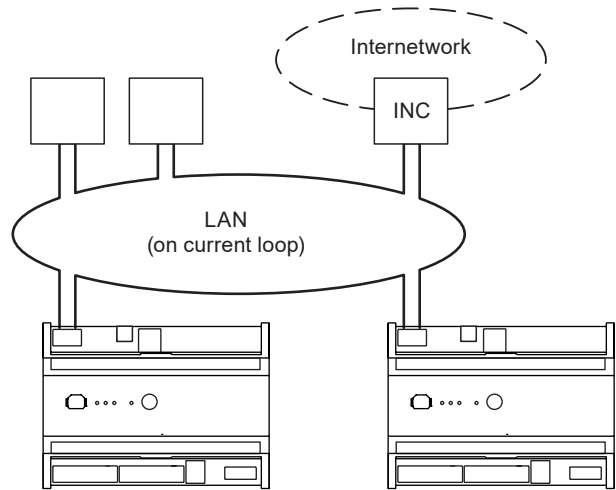
The IQ41x supports either static or dynamic (DHCP) IP addressing. DHCP is enabled by default.

Each IQ41x has a unique MAC (Media Access Control) address allocated to its Ethernet node. This can be used to help identify the IQ41x during configuration.

On INT variants the Ethernet connector can be used to communicate with IP MODBUS devices (e.g. meters and VSDs).

Current Loop (/LAN variants only)

On units that have the current loop option (which is enabled), the IQ41x will form a Trend LAN with other devices on the current loop.



Note: In this configuration IQ41x cannot join a Trend LAN on Ethernet. However, access by IP is still possible.

In order to join an internetwork, an INC type device (e.g. IQ4NC) will be required elsewhere on the current loop LAN.

The current loop may be wired in either a 2-wire or 4-wire configuration.

Network Bypass Relay: If the IQ41x loses power a set of bypass relays will close to maintain the integrity of the current loop network. If the relays close it will be recognised by a downstream device, and reported as a LAN Changed alarm.

Baud Rate: By default the IQ41x auto-detects the baud rate to use on the current loop. Where required, the rate can be set manually using configuration software.

RS232 (Local Supervisor Port)

An RS232 port is provided for the optional connection of local display devices, sensors or supervisory tools. Only one device may be connected at one time.

The connected device can be restricted to communicate only with the IQ41x or (if supported by the device) with the entire Trend network (see 'Networking' on page 4).

On INT variants the RS232 connection can be used in conjunction with an externally powered RS232 to RS485 convertor to communicate with serial MODBUS devices (e.g. meters and VSDs) and in conjunction with a RS232 to M-bus convertor to M-bus (e.g. meters and VSDs).

Note: The connection can only be used for one type of connection.

USB (Local Engineering Port)

The USB port allows connection of a PC running IQ™SET (System Engineering Tool). When connected in this way IQSET can communicate across the entire Trend network (see 'Networking' on page 4).

When not in use the connector is protected by a retained flexible plastic plug.

Wallbus

The Wallbus port facilitates the connection of room display devices (e.g. an RD-WMB series room display). Devices can be wired using either bus (daisy-chain) or star topology.

These devices offer control and indication of parameters such as setpoint, fan speed and occupancy, as well as sensing temperature, humidity and CO₂ levels.

Note: When connecting devices to the IQ4 over Wallbus, e.g. DALI64, the maximum number of PVIDS on the IQ4 is 1000 PVIDS and will be limited to only 250 PVID Inputs. These limits apply to the entire strategy. If IQSET strategy blocks have been used it may be necessary to delete unwanted Input PVIDS from the strategy to remain within the limit.

BACnet Communications (./BAC variants only)

The IQ41x./BAC controller is certified as a BACnet Building Controller (B-BC). BACnet is an open protocol that enables the products of a number of different manufacturers of building automation and control equipment to communicate with each other. It supports communication using BACnet over IP (Ethernet) including:

- Access to IQ41x parameters over BACnet,
- Alarm delivery,
- IC comms to a BACnet device.

A full specification of the objects, properties, and BIBBS (BACnet Interoperability Building Blocks) supported by the IQ41x are given in the IQ4 Protocol Implementation Conformance Statement (TP201248). The mapping of the BACnet properties to the Trend parameters is covered in the IQ4 Configuration Manual (TE201263).

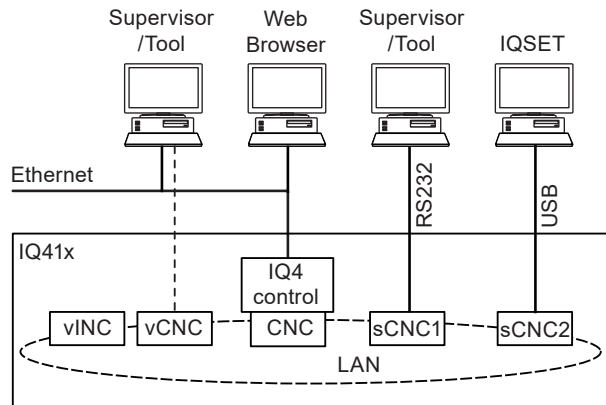
XML Web Services

The IQ41x includes XML web services. XML is a general purpose specification for creating custom markup languages. It helps developers create web pages and also provides a basic syntax that enables information to be shared by different computers and applications. The IQ41x XML syntax is described in the IQ4 Configuration Manual (TE200768).

Networking

In order to connect to the Trend network the IQ41x will create its own internal LAN which includes the following nodes:

- a CNC for its own controller,
- a supervisor CNC (sCNC1) for its RS232 port,
- a supervisor CNC (sCNC2) for its USB port,
- a virtual CNC (vCNC), and
- a virtual INC (vINC).



Default CNC Addressing: The IQ41x device (outstation) address is factory-set (in the Address module) as follows:

- Local LAN** set to 20;
- Local Address** set on a rolling basis in the range 11 to 119, so that in a batch of IQ41x controllers, each will have a different default address (printed on the unit's serial label).

sCNC1 Functionality: If the RS232 port address is set to 0 (default), sCNC1 is disabled and a connected device can only communicate with the IQ41x. If the address is configured to be non-zero, sCNC1 is enabled with that address on the LAN and allows a connected device to communicate with the entire Trend network.

sCNC2 Functionality: When a PC running IQSET is connected to the USB port it uses sCNC2. If the USB port address is set to 0 (default), sCNC2 is dynamically created at address 125 for the duration of the IQSET session. When the PC is removed sCNC2 times out and no longer exists on the network. If the address is configured to be non-zero, sCNC2 remains on the network at all times.

vCNC Functionality: Allows a supervisor/tool/display to make a permanent secure (if supported) connection to the Trend network using TCP/IP. By default the vCNC is disabled.

vINC Functionality: When the IQ41x joins a LAN on Ethernet, the controller with the lowest IP address assumes INC functionality (using its vINC at address 126); any vINCs in other controllers on that LAN will automatically be disabled. The vINC does not exist on a current loop LAN.

IC Comms: The IQ41x can communicate with other IQ controllers and BACnet devices (./BAC variants only) using IC Comms. Some controllers running earlier versions of firmware may not support all IC Comms types. See 'Compatibility' on page 13.

HARDWARE

Inputs and Outputs

The I/O channels available vary with the IQ41x type as shown in the table below:

		IQ411/24VAC	IQ411/230	IQ412/24VAC	IQ412/230	
Inputs	Universal	3	3	3	3	
	Digital	2	2	2	2	
Outputs	Solid State Digital	24 Vac	6	0	4	0
		24 Vac Synthesised	0	6	0	4
	Analogue	0	0	2	2	
	Auxiliary Supply	1	1	1	1	

Screened cable is not generally required unless the cable passes through electrically noisy environments. Where it is used the screen must be connected to the local panel/enclosure ground and left unterminated at the far end.

Universal Inputs (IN1 to IN3)

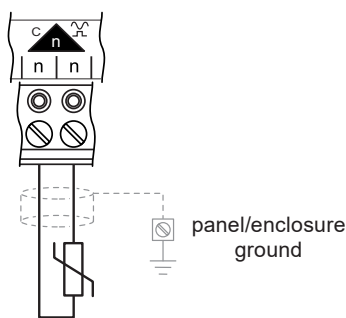
Each input channel will function as one of the following:

- thermistor input,
- voltage input,
- digital input, or
- current input.

The input function is set automatically by the IQ41x strategy.

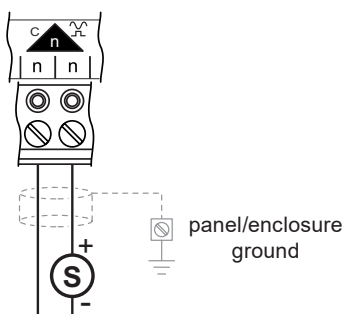
Thermistor input: Used for a thermistor (NTC 10 kΩ @ 25°C (77°F), -40 to 110°C (-40°F to 230°F)), potentiometer (0 to 200 kΩ) or fan speed control. The thermistor bridge resistor is 12 kΩ with a bridge supply 3.3 V.

Example wiring



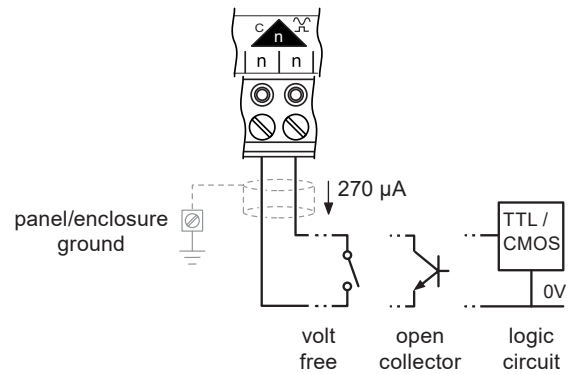
Voltage input: Used with a 0 to 10 Vdc source.

Example wiring



Digital input: Used for a volt free contact, logic circuit (e.g. TTL, CMOS), open collector (transistor) or open drain (FET).

Example wiring



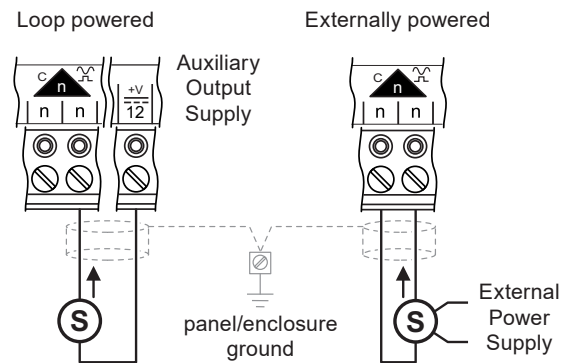
The volt free contact has a nominal wetting current of 270 μA. The input is ON when the contact is closed.

An open collector or open drain must be able to sink 270 μA. The input is ON when the transistor or FET conducts. Correct polarity must be observed.

A logic circuit must be able to sink 270 μA. The input will be ON when the voltage present on the input terminal is less than 2 Vdc (minimum 0 V). A voltage greater than 3.5 Vdc (maximum 50 Vdc) or open circuit will turn the input OFF. Voltage levels between 2 and 3.5 Vdc may cause indeterminate operation.

Current input: Used for 0 to 20 mA sources which can be externally powered or loop powered (from the Auxiliary Supply Output, i.e. terminal 12).

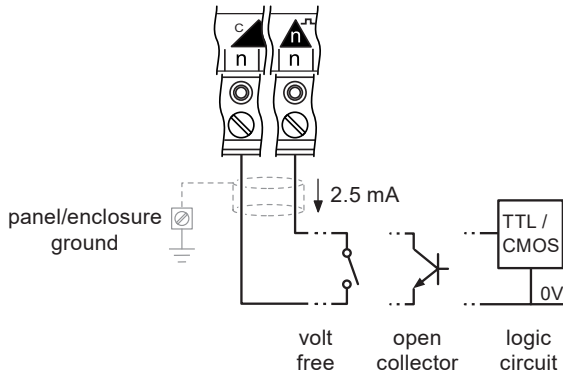
Example wiring



Digital Inputs (IN4, IN5)

Used for a volt free contact, logic circuit (e.g. TTL, CMOS), open collector (transistor) or open drain (FET).

Example wiring



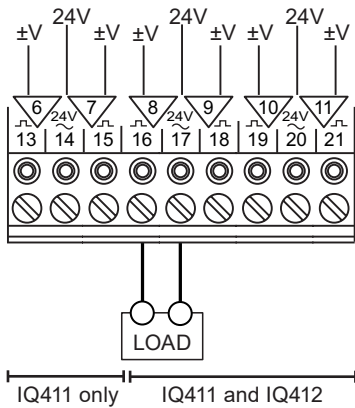
The volt free contact has a nominal wetting current of 2.5 mA. The input is ON when the contact is closed. There is no polarity.

An open collector or open drain must be able to sink 2.5 mA. When the transistor or FET conducts, the digital input will be ON. Correct polarity must be observed.

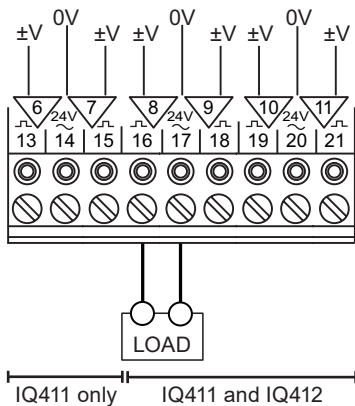
Digital Outputs (IQ411: OUT6, OUT11; IQ412: OUT8 to OUT11)

These solid state outputs are suitable for use with 24 Vac thermal type actuators, 24 Vac synchronous motors, and 24 Vac relays. The outputs on /24VAC and /230 versions are equivalent, the only difference is the power on the common terminal.

IQ41x/24VAC: Switches 24 Vac, 500 mA maximum for a channel, 500 mA maximum shared between all channels (4 on IQ412 or 6 on IQ411). Terminals and example wiring:

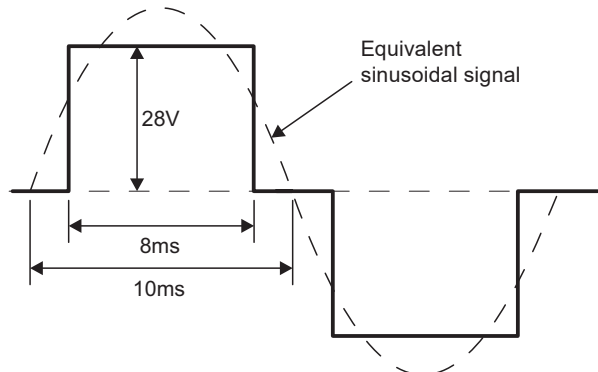


IQ41x/230: Switches 24 Vac (synthesised), 300 mA maximum for a channel, 300 mA maximum shared between all (4 or 6) channels. Terminals and example wiring:



Each output provides an independent 24 Vac feed for driving 24 Vac loads, such as thermoelectric (thermic) actuators, and raise lower actuators, (e.g. the Trend range of thermic actuators).

The electrical characteristic of this output is approximately as shown below. Loads should be assessed against this before they are used with IQ41x/230.



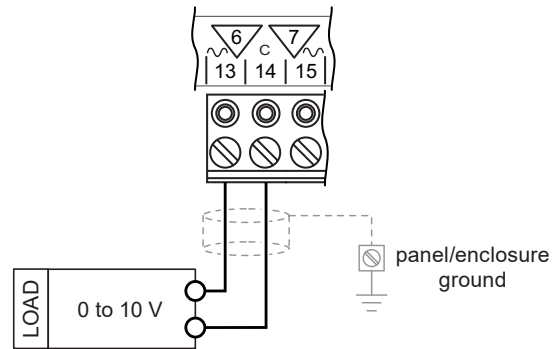
Note: 24 Vac is not available from the IQ41x/230. Certain types of actuator which require a direct 24 Vac supply (e.g. spring return) cannot be powered from the IQ41x/230, and will require a separate 24 Vac supply.

Analogue Outputs (IQ412 only: OUT6, OUT7)

These provide a variable control voltage between 0 and 10 Vdc. The output can source up to 20 mA (see "Combined Supply") and sink up to 3 mA.

If screened cable is used the screen must be connected to the panel/enclosure ground and unterminated at far end.

Example wiring



Auxiliary Supply Output

This output can be used to supply I/O devices (e.g. sensors). It provides 20 Vdc ±10% from terminal 12 with a return through any 'C' terminal.

A maximum current of 90 mA is available.

Combined Supply

The IQ41x combined supply provides power for the:

- Analogue outputs (IQ412 only),
- Auxiliary supply terminals,
- Wallbus, and
- RS232 port.

On **/24VAC** variants a maximum combined supply current of 120 mA is available. If the total power requirement of the combined supply exceeds this limit it will be necessary to power some of the items using external power sources.

Note: For further details on calculating the available current from the combined supply, see the IQ4 Configuration Manual (TE201263).

On **/230** variants the combined supply can fulfil all power requirements up to the maximum values specified on page 15.

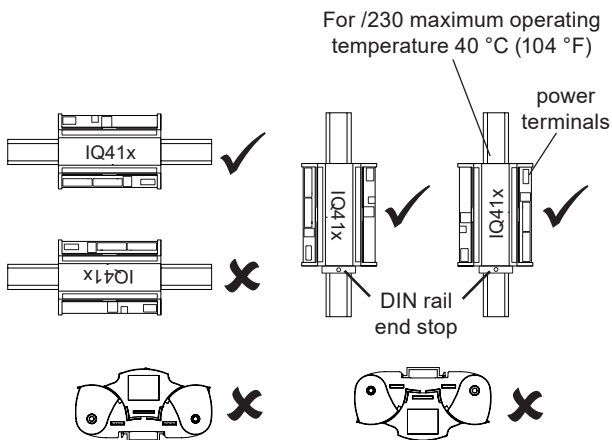
Enclosure

The IQ41x is housed in a polycarbonate case. Integral spring clips on the back of the case enable the unit to be clipped on to (and quickly released from) a standard TS35 DIN rail.

The **/230** version must be installed in a secondary enclosure with a minimum protective rating of IP20 (or equivalent).

The **/24VAC** version must be installed in a secondary enclosure with a minimum protective rating of IP20 (or equivalent) or mounted outside normal reach (e.g. in a plenum).

The unit may be mounted horizontally or vertically but not upside down or on its back:



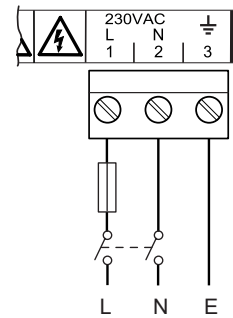
Rotating clear polycarbonate covers provide access for the power, communications and I/O connections.

Input Power Supply

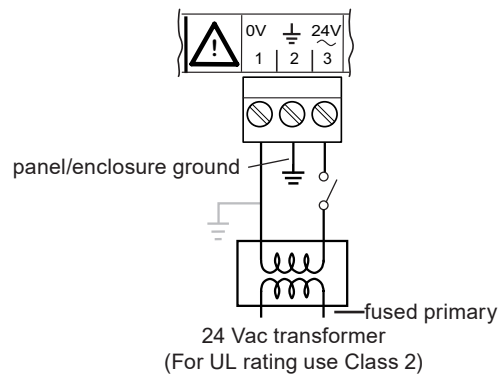
The IQ41x has both 230 Vac and 24 Vac input power options.

/230: This option requires 230 Vac $\pm 10\%$, 50/60 Hz. The IQ41x input power earth (ground) terminal is isolated from the input power neutral, and must be separately earthed (grounded) locally; this ground terminal is internally connected to the IQ41x electronics earth (ground).

The 230 V supply must include a dedicated 5 A fuse complying with IEC60269 (BS1362) and a suitably rated switch in close proximity and be clearly marked as the disconnecting device for the unit. A 5 A circuit breaker with high breaking capacity may be used as an alternative.



/24VAC: This option requires 24 Vac $\pm 10\%$, 50/60 Hz. It uses an half wave rectifier internal power supply unit. Multiple controllers with half wave power supplies may be powered from a single grounded transformer but the supply polarity must be maintained across all units supplied from the same transformer.



The local earth terminal (2) must be earthed (grounded) at the controller. If one side of the transformer secondary is earthed, then this **MUST** be connected to the controller's 0 V terminal (1). For UL rating the input power connections must be made using 18 AWG or larger wire rated at least 90°C (194°F). The 24 V supply must include a suitably rated switch in close proximity and be clearly marked as the disconnecting device for the unit. Do not position the equipment so that the disconnecting device is difficult to operate.

Service Button

The Service Button can be used to generate a network message which identifies the IQ41x by means of its unique serial number to system tools, e.g. to find the controller's device address and LAN number. It can also be used to reset the IQ41x to factory defaults; for further details see the IQ4 Configuration Manual (TE201263).

Indicators

Various indicators are provided giving feedback on the operational status of the controller.

General (in centre of cover):

Indicator	Colour	Function
Power	Green	Condition of input power supply
Watchdog	Red	Presence of a firmware/strategy fault
LAN OK	Green	Status of the Trend LAN (operational on /LAN variants only)
Service	Yellow	Service button activated. Flashes if a powered device is connected to the USB port when IQ41x is <i>not</i> powered.

Current Loop (adjacent to current loop connector - operational on /LAN variants only):

Indicator	Colour	Function
RX	Yellow	Status of link from upstream device
TX	Yellow	Status of link to downstream device

Ethernet (on end of Ethernet connector):

Indicator	Colour	Function
OK	Green	Status of connection (Ethernet LINK)
RX	Yellow	Presence of data reception

Backup

The data (firmware, strategy, parameters) is stored in flash memory which is non-volatile in the case of power failure. Changes to the Address module are stored immediately. Other changes are generally stored around midnight, in addition structural changes (e.g. module interconnections) are stored 15 s after the last change, and critical data changes (e.g. strategy values), are stored on power failure or other similar fault conditions. The tools (e.g. IQSET) will send an archive instruction after parameter changes causing immediate storage of changes.

A supercap is used to maintain the real time clock (time and date). In the event of power failure this will support the clock for 8 days (typically).

Note: Operation at elevated temperature or high humidity levels will reduce the lifetime of the supercap. Extended operation in these conditions may permanently reduce the capacity of this component and result in a reduction in the number of days that the controller can successfully backup the time and date.

Labels

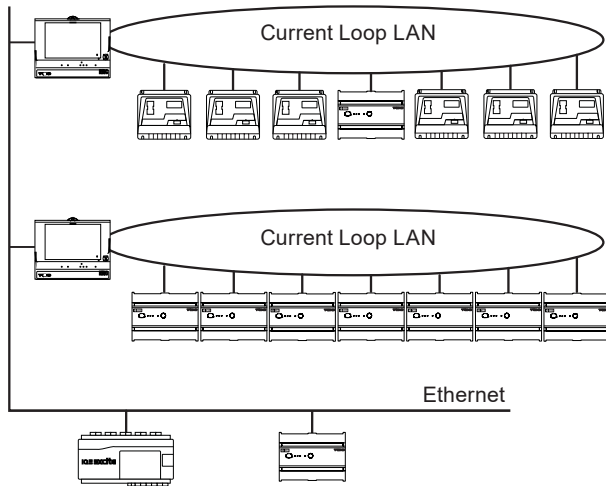
A small two part label is attached to the unit which displays the unit's serial number and MAC address (in both text and barcode format). Space is provided on the label for recording the unit's device (outstation) address, LAN number and IP address (if DHCP is not being used). It has a tear-off self-adhesive label strip that also contains the serial number and MAC address (text and barcode) which can be adhered to a paper record, e.g. a building plan or log book.

A second large adhesive label is also supplied which contains the unit's serial number in text and barcode formats. This is intended to be mounted on the outside of the equipment cabinet or enclosure containing the IQ41x. If the unit is located in a difficult-to-reach location, this label can be scanned from a distance using a suitable barcode scanner.

The barcodes on both labels conform to the 'code 128 auto' format.

Replacing IQ21x & IQ7x with IQ41x

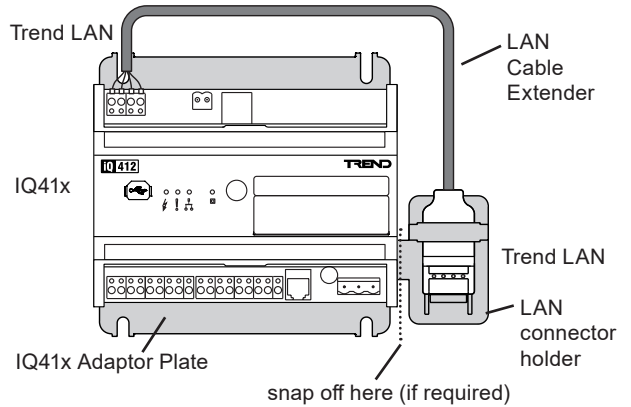
The IQ41x has design features which enable it to replace or extend systems which include old IQ21x and IQ7x controllers.



The diagram above shows IQ41x/LAN replacing/extending an IQ21x system on the Trend current loop LANs, and an IQ41x connected to a Trend Ethernet LAN.

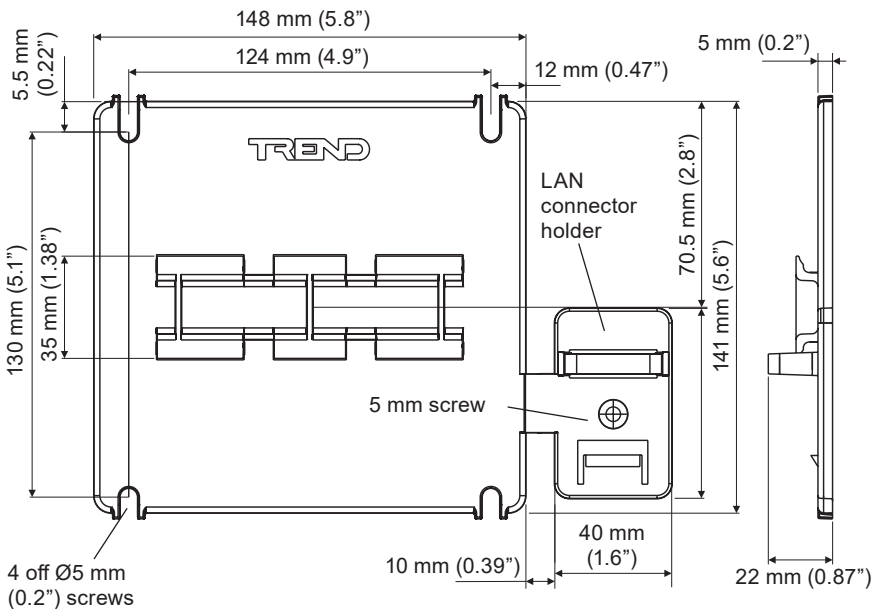
The IQ41x is a of a similar size to the IQ21x and has the same I/O terminal allocation. The IQ41x Adaptor Plate accessory has the same mounting points as the IQ21x controller and provides DIN rail clips for the IQ41x. These IQ41x features along with the adaptor plate facilitate its use as an IQ21x replacement. It is supplied with a screw fixing cable tie to be used as the supply cable restraint.

The I/O terminals can be unplugged from the IQ21x and plugged into the IQ41x terminal position. It is the same for the input power terminals except they need to be twisted through 180°. The LAN cable extender enables the LAN connections to be made by the side of the IQ41x unit. The LAN connector holder plastic on the mounting plate may be snapped off and mounted in a more convenient position (with single 5 mm screw fixing).



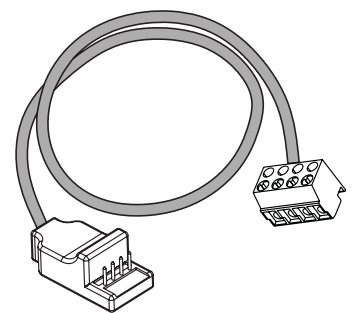
The IQ41x may also be used as replacement for the IQ7x series controllers. The I/O connections are reasonably compatible except for the IQ78. The input terminals can be unplugged from the IQ7x and plugged into the IQ41x terminal position, and the same with the output terminals for the IQ71 although IQ72, 73 will need the wiring to cross-connected. The 24 Vac supply connector will need to be changed. The IQ41x Adaptor Plate accessory mounting points are slightly different to the IQ7x's, and but the slots are elongated to take either. The LAN cable extender must be used in the same way as for the IQ21x, enabling the LAN terminals to be unplugged from the IQ7x and plugged into the IQ41x terminal position.

IQ41x Adaptor Plate



LAN Cable Extender

Length: 450 mm (17.72")



FIRMWARE

The firmware in the IQ41x controls its basic functionality and provides a range of modules that can be configured to produce a control strategy.

Modules

The range of modules provided in the IQ41x firmware are listed in the table below. Full details of each module can be found in the IQ4 Configuration Manual (TE201263).

Module	brIQs	Max. number of Modules	Note
Address	24	1 (fixed)	③
Alarm Destination	14	(8)	
Alarm Group	9	500	
Alarm Route	9	500	
Alarm Log	0	1 (fixed)	③
Analog Node	16	4000	
Calendar	566	50	
Digital Byte	16	1012	
Digital Input	28	1500	①
Directory	13	500	
Display	19	1500	
Driver	57	500	①
Function	19	1000	①
IC Comms	19	IP network = 1000 Max of 500 shared between MSTP and current loop.	①⑤
Interface	130	500	①④
Knob	13	1500	
Logic	19	1000	①
Loop	55	500	
Network	0	Max 10 Modbus IP	③
NTD	30	limited by max. brIQs only	
Option	0		③
OSS	34	500	
Page	4	500	
Plot	12	500	
Program	0	1 (fixed)	③
Schedule Offset	21	500	
Sensor	76	1500	①
Sensor type	12	99	
Sequence	106	1 (fixed) (300 steps)	
States Category	0	50	
Switch	10	1500	
Time	38	1 (fixed)	
Time Schedule	566	100	②
User	12	500	
Virtual CNC	9	1	③

① The number of brIQs used on these modules varies with the module type. The largest size is shown here.

② Includes a maximum of 50 exceptions per module.

③ These modules are always present in the IQ41x.

④ Additional brIQs required per input and output depending on controller type -Wallbus Input 13, Output 12, Modbus Input 16, Output 15, MBus Output 12.

⑤ For IP networks a maximum of 1000 IC comms/COV subscriptions can be configured but there is a maximum transmission rate of 300 IC comms/COV subscriptions per minute. For MSTP and Trend current loop networks a maximum of 500 IC comms/COV subscriptions can be configured but there is a maximum transmission rate of 100 IC comms/COV subscriptions per minute shared between the two networks.

For more details see the IQ4 Configuration Manual (TE201263).

The quantity of each type of module may be adjusted to match the requirements of the application subject to the following:

- A maximum of 4000 modules in total,
- A maximum for each type of module, and
- The IQ41x memory capacity (10,000 brIQs, 15,000 brIQs for /INT variants).

The maximum number of modules for each type, and the number of brIQs required per module are shown in the table above.

Plot Modules

The IQ41x Plot modules can plot any connectable module output (analogue or digital). There are four types of Plot module: Synchronised, Triggered, Periodic and COV (change of value). Although all four types are BACnet interoperable, only periodic plots can be compliant with the BACnet standard. All Plot modules can generate a buffer ready alarm when the number of records equals a notification threshold.

The maximum number of records per plot is 1000. The maximum total number of records (for all plots) depends on the available plot memory (measured in log points) and the type of plots used - each Synchronised plot record requires 5 log points, while each Triggered, COV or Periodic plot record requires 10 log points:

maximum plot memory (log points)	max. number of records	
	synchronised plots	triggered, COV or periodic plots
1,000,000	200,000	100,000

Note: A maximum of 100 plots can be serviced in a 1 s period (e.g. 100 x 1 s plots only). This is calculated on the average plots serviced in 1 s, so a 1 minute plot would contribute a 1/60. For example 90 x 1 s plots plus 360 x 1 min would give 96 (90+6) plots per second on average. The periodic and triggered plots must also be counted and it's up to the engineer to make his best estimate.

BACnet COV Reporting and Receiving

IQ4s BACnet Change Of Value (COV) services allow a COV client to receive reports from a COV server when the value of a referenced property changes. IQ4 provides both COV reporting (limited to 1000 COV subscriptions - see page 10 for limitations) and COV receiving facilities.

Firmware Upgrades

New versions of firmware may be made available from time to time to change or add functionality or to provide support for new products.

Firmware can be upgraded using a PC running the IQTool Firmware Upgrade Applet, and to the IQ41x connected over Ethernet (recommended for speed) or the Trend current loop.

Timemaster

The IQ41x can act as a system Timemaster to synchronise the time and date across the Trend system. It can use SNTP (simple network time protocol) to obtain precision current time from an unauthenticated NTP server on the Internet. Daylight saving can be implemented automatically (via timezone setting) or manually by specified dates and time adjustment.

Alarms

The IQ41x will generate Network, General, and Item alarms. Network alarms are generated by the Trend Network nodes, General alarms are generated when the IQ41x detects a problem within its own hardware or program, and Item alarms are generated by the strategy, and are normally due to a faulty plant condition.

Network alarms are sent to supervisors or tools connected to the RS232 local supervisor port, USB local engineering port, or to the controller's vCNC.

General and Item alarms can be sent either to a designated Trend LAN address, to an IP address, or as an email. Alternatively, certain Item alarms (sensor, digital input, digital driver readback, and plot), can be sent to a BACnet device.

Alarms sent to a Trend LAN address, or to an IP address can either be sent in text, coded, or attribute format. Network alarms are sent in text format only.

For coded alarms the protocol limits the item number to 255 maximum. For text alarms the maximum item label length is 20 characters (although the 963 can be set up to use labels previously learnt).

Sending an alarm by email requires the Email Server Address to be set up in the address module. The Email Server Address can be an IP address, an internet domain name, or a host name; the internet domain name or host name require a DNS server address or a WINS server address respectively to be set up in the network module so that the name can be resolved.

All alarms (except Network alarms) are also stored locally in the Alarm Log. The alarm log can record up to 300 alarms. Once this limit is reached each new alarm will overwrite the oldest record.

IQ Interfacing

IQ interfacing (/INT) is an optional feature that enables easy integration of Serial (RS485) MODBUS, IP MODBUS and M-bus devices (e.g. meters, sensors/chillers/VRF Systems) to the IQ41x. This enables the IQ41x to read and write values directly. If required an IQ41x can be connected to both MODBUS IP and M-bus at the same time.

Standard strategy blocks, available in IQSET, allow easy strategy configuration using drag & drop for common MODBUS and M-bus devices - see <https://partners.trendcontrols.com/partners/index.aspx#Downloads:SET> for the latest plant blocks.

Engineering with standard IQ4 Network and Interface modules allows connection to other MODBUS and M-Bus devices. Strategy blocks can be created for favourite devices to save engineering time.

/INT variants have additional briQs - see 'Modules' on page 10.

MODBUS

Maximum number of inputs/outputs per device: Each MODBUS Interface module can have up to 500 inputs and 500 outputs, this allows 500 inputs and 500 outputs per device. If more than this is required additional MODBUS Interface modules can be connected to the same MODBUS address (device).

Maximum number of devices: Although the maximum number of MODBUS devices connected to the IQ41x is determined by the number of available interface modules in the IQ4 (max 500), in reality, the limit is set by the MODBUS rules.

Maximum number of connected MODBUS networks: Each connected network requires one MODBUS Network module. There is a maximum of 10 MODBUS IP network modules. For Serial MODBUS network modules, the number is set by the IQ41x's hardware.

Devices from different manufacturers can be connected to the same network providing the network parameters configuration is the same.

Note: IQ41x cannot operate as a slave so does not have registers.

M-bus

Maximum number of outputs per device: Each M-bus Interface module can have up to 1000 outputs, this allows 1000 outputs per device. If more than this is required additional M-bus Interface modules can be connected to the same M-bus address (device).

Note: An individual M-bus device is limited to 255 values. Therefore, although there can be 1000 outputs on the interface module, each one can only be set to one of 255 values from the M-bus device.

Maximum number of devices: Although the maximum number of interface modules is 500, the maximum number of M-bus devices is limited to 250 but is dependant on the converter used.

When values are requested from an M-bus device ALL values are sent to the IQ4. E.g. when requesting a single value from an M-bus device that has 20 values the M-bus device will send all 20 values to the IQ4. Therefore it is necessary to consider the data flow rate.

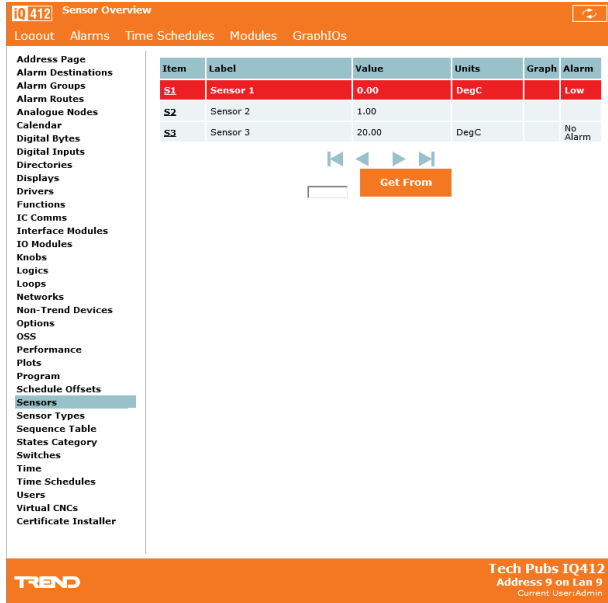
Note: The more values and devices that are required the larger the strategy requirements therefore the briQ count must be considered.

Maximum number of connected M-bus networks: Each connected network requires one M-bus Network module. The number of M-bus network modules is set by the IQ41x's hardware.

Devices from different manufacturers can be connected to the same network providing the network parameters configuration is the same.

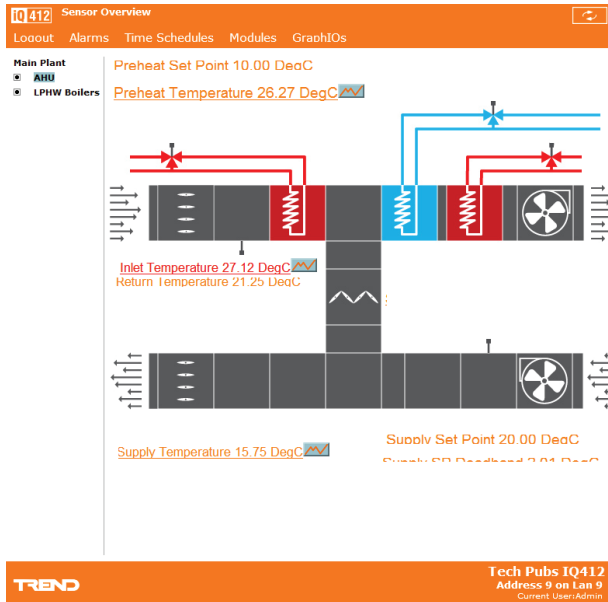
Web Server

Information from the IQ4 can be viewed or adjusted from a web client (PC, tablet or smartphone) over any TCP/IP network (e.g. company intranets) using secure HTTPS protocol. All that is required is the IQ4's IP address or host name, and a user name and password. Once connection to the controller has been made, it is possible to view/adjust occupation times, view the alarm log, and view/adjust/graph individual module parameters.



The web interface does not allow the strategy structure to be modified (e.g. changing module interconnections, adding or deleting modules).

Graphical display pages (GraphIQs), which are configured using the IQ41x display and directory modules, can also be accessed.



For further details of web pages see the IQ4 Configuration Manual (TE201263), the IQ4 Web User Guide (TC201256), and the Graphical Display Pages Editor Manual (TE200629).

Language

The user can specify which language the IQ41x uses for the display of web pages and for transmitted alarms. The standard languages are in the controller as supplied. In the controller the Address module has a language parameter which will be set to the default language, but can be changed to any one of the other available languages. The IQ41x can use languages which require 8 bit code (i.e. special or accented characters) and can also operate with right to left languages (e.g. Chinese, Arabic).

Identification

The IQ41x will identify itself as an IQ4 to w comms.

STRATEGY

In order to operate as a controller, the modules provided by the firmware must be configured to define the way the controller is to control the connected equipment. This configuration is known as the strategy. Strategies are configured using the System Engineering Tool (IQSET).

This produces a strategy file (*filename.IQ4*) that can be downloaded to the controller to define its operation. This file consists of all the strategy module instances, their parameters, and links. When this is downloaded it is stored in the controller and then run using the controller firmware.

For details of using IQSET see the System Engineering Tool Manual (TE200147).

FIELD MAINTENANCE

The IQ41x require no routine maintenance.



WARNING: Contains no serviceable parts. Do not attempt to open the unit. Failure to comply may cause damage to the unit.

DISPOSAL

COSHH (Control of Substances Hazardous to Health - UK Government Regulations 2002) ASSESSMENT FOR DISPOSAL OF IQ41x.

RECYCLING

All plastic and metal parts are recyclable. The printed circuit board may be sent to any PCB recovery contractor to recover some of the components for any metals such as gold and silver.



WEEE Directive:

At the end of their useful life the packaging, and product should be disposed of by a suitable recycling centre.

Do not dispose of with normal household waste.
Do not burn.

COMPATIBILITY

Browsers: This device has been successfully tested with Internet Explorer (v10 & 11), Chrome (v29.0.1547.0), Mozilla Firefox (v23), Safari (v5.1.7) and with the default browser on the following device operating systems:

Apple iOS 8.1.3
Android 5.0 'Lollipop'
Windows Phone 8.1

It should work with all modern browsers, smart phones, and tablets (with JavaScript enabled) available at the date of release of this product.

Owing to the rapidly changing nature of web devices, new devices and browsers will become available after release.

Supervisors and Displays: 963 v3.5 or greater, IQVISION, 916, IQVIEW4, IQVIEW8, RD-IQ, SDU-xcite and IQVIEW Single Controller Display application.

Note: The NDP is not compatible with IQ41x; it will not recognise an IQ41x connected to its network.

Wallbus: RD-WMB, RS-WMB, RV-WMB.

Utility software: IQSET v7.60 or greater.

IC Comms: IQ4, IQ3, IQ2, IQeco, IQL, and IQ1 (v3 onwards).

Note: Some controllers running earlier versions of firmware may not support all IC Comms types. Refer to the IQ4 Configuration Manual (TE201263) for full compatibility details. For details on using IC Comms with IQL controllers refer to the Trend LonWorks Products Engineering Manual (TE200292).

Controllers: IQ3/IQ4 directly and IQ1, IQ2, IQL by way of XTEND. IQ41x/LAN communicates with IQ2, IQ1 directly. IQeco by way of IQ4NC.

Strategies: IQ1, IQ2, IQ3 can be imported into IQSET, converted into IQ4 strategies, and then downloaded into an IQ41x. If the strategy file accesses I/O channels beyond those available in the IQ41x the strategy will be rejected.

Ethernet Nodes: XTEND, NXIP, or EINC.

Note: NXIP or EINC must not be used in an automatic IP addressing (DHCP) environment.

BACnet Devices: (/BAC variants only). The IQ41x controller is certified as a BACnet Building Controller (B-BC), for details of the certification go to:

<http://www.bacnetinternational.net/btl/index.php?m=52>.

Compatibility is defined in IQ4 Product Implementation Conformance Statement (TP201248).

INSTALLATION

The IQ41x is designed to be clipped on to a standard TS35 DIN rail. The /230 version must be installed in a secondary enclosure with a minimum protective rating of IP20 (or equivalent). The /24VAC version should be installed in an enclosure or outside normal reach (e.g. in a plenum). All /24VAC controllers are UL rated as 'UL916, listed open energy management equipment'.

The installation procedure involves:

Mounting the controller in position
Connecting power
Connecting Ethernet (if required)
Connecting RS232 (if required)
Connecting Current Loop (./LAN only)
Connecting the I/O channels (as required)
Connecting RS485 MODBUS devices (if required)
Connecting M-bus devices (if required)
Connecting Wallbus (if required)
Powering up

Setting up IP address parameters (if required)
Setting up LAN number and Device address
Checking network
Configuring the strategy
Testing strategy using controller simulation in IQSET
Downloading strategy and other configuration files
Check BACnet communications (./BAC only)
Connecting inputs and checking operation
Connecting outputs and checking operation

A full description of installing the unit is given in the IQ41x Installation Instructions - Mounting (TG201250) and IQ41x Installation Instructions - Configuring (TG201251).

ORDER CODES

[Controller Type]/[INT]/[LAN]/[BAC]/[Power]

[Controller Type]	IQ411	IQ411 controller with 3 universal inputs, 2 digital inputs, 6 solid state digital outputs
	IQ412	IQ412 controller with 3 universal inputs, 2 digital inputs, 4 solid state digital outputs, 2 analogue outputs,
[INT]	Blank	No IQ Interfacing
	INT	IQ Interfacing
[LAN]	Blank	No Trend current loop
	LAN	Trend current loop option fitted
[BAC]	Blank	No BACnet protocol
	BAC	BACnet over IP protocol capability option included
[Power]	230	230 Vac input power supply
	24VAC	24 Vac input power supply

Note: XML web services are fitted as standard in the IQ41x.

IQ411/230	IQ411 with 230 Vac supply
IQ411/24VAC	IQ411 with 24 Vac supply
IQ411/BAC/230	IQ411 with IP BACnet and 230 Vac supply
IQ411/BAC/24VAC	IQ411 with IP BACnet and 24 Vac supply
IQ411/INT/230	IQ411 with IQ Interfacing and 230 Vac supply
IQ411/INT/24VAC	IQ411 with IQ Interfacing and 24 Vac supply
IQ411/INT/BAC/230	IQ411 with IP BACnet, IQ Interfacing and 230 Vac supply
IQ411/INT/BAC/24VAC	IQ411 with IP BACnet, IQ Interfacing and 24 Vac supply
IQ411/LAN/230	IQ411 with Trend current loop LAN and 230 Vac supply
IQ411/LAN/24VAC	IQ411 with Trend current loop LAN and 24 Vac supply
IQ411/LAN/BAC/230	IQ411 with Trend current loop LAN, IP BACnet, and 230 Vac supply
IQ411/LAN/BAC/24VAC	IQ411 with Trend current loop LAN, IP BACnet and 24 Vac supply
IQ411/INT/LAN/230	IQ411 with Trend current loop LAN, IQ Interfacing and 230 Vac supply
IQ411/INT/LAN/24VAC	IQ411 with Trend current loop LAN, IQ Interfacing and 24 Vac supply
IQ411/INT/LAN/BAC/230	IQ411 with Trend current loop LAN, IP BACnet, IQ Interfacing and 230 Vac supply
IQ411/INT/LAN/BAC/24VAC	IQ411 with Trend current loop LAN, IP BACnet, IQ Interfacing and 24 Vac supply
IQ412/230	IQ412 with 230 Vac supply
IQ412/24/VAC	IQ412 with 24 Vac supply
IQ412/BAC/230	IQ412 with IP BACnet and 230 Vac supply
IQ412/BAC/24/VAC	IQ412 with IP BACnet and 24 Vac supply
IQ412/INT/230	IQ412 with IQ Interfacing and 230 Vac supply
IQ412/INT/24VAC	IQ412 with IQ Interfacing and 24 Vac supply
IQ412/INT/BAC/230	IQ412 with IP BACnet, IQ Interfacing and 230 Vac supply
IQ412/INT/BAC/24VAC	IQ412 with IP BACnet, IQ Interfacing and 24 Vac supply
IQ412/LAN/230	IQ412 with Trend current loop LAN and 230 Vac supply
IQ412/LAN/24/VAC	IQ412 with Trend current loop LAN and 24 Vac supply
IQ412/LAN/BAC/230	IQ412 with Trend current loop LAN and 230 Vac supply with IP BACnet
IQ412/LAN/BAC/24/VAC	IQ412 with Trend current loop LAN and 24 Vac supply with IP BACnet
IQ412/INT/LAN/230	IQ412 with Trend current loop LAN, IQ Interfacing and 230 Vac supply
IQ412/INT/LAN/24VAC	IQ412 with Trend current loop LAN, IQ Interfacing and 24 Vac supply
IQ412/INT/LAN/BAC/230	IQ412 with Trend current loop LAN, IP BACnet, IQ Interfacing and 230 Vac supply
IQ412/INT/LAN/BAC/24VAC	IQ412 with Trend current loop LAN, IP BACnet, IQ Interfacing and 24 Vac supply

UPGRADES

IQ4/BAC/UP	Add BACnet functionality to the IQ4.
IQ4/INT/UP	Upgrade to add IQ interfacing

ACCESSORIES

IQ41x ADAPTOR PLATE/20	Retrofit mounting plate to facilitate replacement of IQ21x or IQ7x (Pack of 20)
CABLE-IQ4INTRS232	RJ11 to 9 way male D type cable for connecting the IQ41x's RS232 connector to RS232 to RS485 convertor (for MODBUS) or a RS232 to M-Bus convertor.
LAN CABLE EXTENDER/20	LAN cable extender to facilitate replacement of IQ21x or IQ7x (Pack of 20)

SPECIFICATIONS

ELECTRICAL

Power Input	
/230	:230 Vac \pm 10% 50/60 Hz at up to 40 VA
/24VAC	:24 Vac \pm 10% 50/60 Hz at up to 30 VA
Fusing	:No replaceable fuses required.
Power Failure Protection	
Strategy & data	:non-volatile flash memory.
Real time clock	:supercap, maintained for up to 8 days (typical).
Clock Accuracy	:10 s per month (typical).
Cycle Time	:Sequence table 1 s.

Ethernet Network

Transmission	:10/100 BASE-T (IEEE 802.3).
Connection	:RJ45, auto MDI-X.
Cable Type:	:Cat 5e, UTP (unshielded twisted pair).
Distance (to hub)	:100 m (109 yds) maximum
Virtual CNCs	:1.
Address	:Not set by default – set to desired value in range 1 to 119 (excluding 2, 3, & 10).

Current Loop (LAN variants only)

Transmission	:20 mA, two wire current loop, opto-isolated, polarity independent receiver, balanced transmitter.
Baud Rate	:1k2, 4k8, 9k6, 19k2 or 38k4; auto-detected (default) or settable in software.
Device Address	:1 to 119, (2, 3 and 10 not permitted) settable in software.
LAN number	:1 to 119, (2, 3 and 10 not permitted) settable in software.
Distance (node to node)	:dependent on cable type and baud rate (see table below):

Cable	Type	Baud Rate				
		1k2	4k8	9k6	19k2	38k4
Trend TP/2/2/22/ HF/200 Belden 8723	Shielded twisted pair 2 pairs (4 conductors)				700 m	350 m
Trend TP/1/1/22/ HF/200 Belden 8761	Shielded twisted pair 1 pair (2 conductors)	1000 m (1090 yds)			(765 yds)	(380 yds)
Belden 9182 Belden 9207	Twinaxial (2 conductors)					

Note: Adjacent devices may specify different maximum cable lengths and baud rates. The shortest cable length (for the chosen baud rate) applies when connecting to the IQ41x current loop.

RS232 Local Supervisor Port

Transmission	:RS232, EIA/TIA/232E, V28 supports Trend System comms
Distance	:15 m (16 yards) maximum
Supply	
/230	21 Vdc \pm 5%; 60 mA maximum
/24VAC	Supply is unregulated and will vary with supply voltage and controller loading between 17 to 35 V; 60 mA maximum*.
Baud Rate	:9k6.
Address (sCNC1)	:1 to 119, (2, 3 and 10 not permitted) settable in software.

Wallbus

Cable type	:Unscreened twisted pair.
Distance	:60 m (200 ft) maximum.
Supply Current	:50 mA maximum*.
Number of Devices	:up to 14 (subject to power loading)

USB Local Engineering Port

Transmission	:USB 2.0.
Data Rate	:480 Mbits/s (Hi-Speed)
Distance	:5 m (5 yards) maximum.
Address (sCNC2)	:1 to 119, (2, 3 and 10 not permitted) settable in software.

MODBUS (RS485) via RS232 Local Supervisor port
 Convertor :RS232 port requires externally powered RS232 to RS485 convertor.

Cable Type	:Unscreened twisted pair.
Distance	:Dependent on cable type.
Number of Devices	:up to 32 'unit' loads.

MODBUS (IP)

Cable Type	:Cat 5e, UTP (unshielded twisted pair)
Distance (to hub)	:100 m (109 yds) maximum.
Number of Devices	:up to 32 'unit' loads.

M-bus Serial via RS232 to M-Bus converter

Convertor	:RS232 to M-Bus Converter
Cable Type	:CABLE-IQ4INTRS232 for connecting to directly to M-Bus.
Distance	:Dependant on M-Bus converter model used.
Number of Devices	:Max 250, Dependant on M-Bus converter model used.

Inputs/Outputs

Number of Channels	
IQ411	:3 universal inputs, 2 digital inputs, 6 solid state digital outputs
IQ412	:3 universal inputs, 2 digital inputs, 2 analogue outputs, 4 solid state digital outputs

Universal Inputs

Function	:Measuring voltage, current, thermistor or digital input (function set by strategy).
Input Noise Rejection	:Minimum 60 dB series mode rejection at input power supply frequency.
Input Resolution	:12 bit (4096 steps).
Voltage Input	
Input range	:0 to 10 V.
Input resistance	:9.4 k Ω .
Accuracy	: \pm 0.5% of span (50 mV).
Current Input	
Input range	:0 to 20 mA.
Input resistance	:120 Ω .
Accuracy	: \pm 0.5% of span (100 μ A).
Thermistor Input	
Temperature (NTC)	10 k Ω @ 25°C (77°F))
Input range	:-40°C to 110°C (-40°F to 230°F)
Accuracy	: \pm 0.3°C (-20°C to 90°C (-4°F to 194°F)); \pm 0.4°C (<-20°C (-4°F) or >90°C (194°F))

Resistance	
Input range	:0 to 200 k Ω
Accuracy	:1% of measured value or 10 Ω , whichever is the greater.
Bridge resistor	:12.2 k Ω .
Bridge supply	:3.3 V.

Digital Input

Input voltage	:0 to 5 Vdc typical (50 Vdc maximum).
ON state	:<2.5 V @ 270 μ A (sink).
OFF state	:>3.5 V (or open circuit).
Count rate	:30 Hz max. (pulse width \geq 16.6 ms).

Digital Inputs

Function	:Detection of volt-free contact operation or open collector/drain type sources.
Input Voltage	:0 to 5 Vdc typical (50 Vdc maximum).
ON state	:<2.5 V @ 2.5 mA (sink).
OFF state	:>3.5 V (or open circuit).
Count Rate	:30 Hz max. (pulse width \geq 16.6 ms).

Analogue Outputs

Function	:Variable control from strategy of valve/damper actuators, voltage to current/pressure converters, relay modules, lighting dimmers, etc.
Voltage Range	:0 to 10 Vdc.
Current (maximum)	:up to 20 mA* (source). Maximum 18 mA* above 40°C (104°F).
Accuracy	:±0.5% of span.
Resolution	:11 bit (2048 steps).

Auxiliary Supply Output

Voltage	:20 Vdc ±10%.
Current (maximum)	:90 mA*.

**Available current on /24VAC variants may be affected by demands on other outputs - see 'Combined Supply' on page 7.*

Digital Outputs

Function: Switched 24 Vac control of thermic (thermoelectric) actuators, relays and synchronous motors*.

/24VAC variants

Voltage	:24 Vac
Current	:500 mA maximum per channel, 500 mA maximum total between all channels.

/230 variants

Voltage	:24 Vac (synthesised)*
Current	300 mA maximum per channel, 300 mA maximum total between all channels.

**Check suitability of load type - see page 6.*

INDICATORS

Power (⚡)	:Green LED
Watchdog (🐕)	:Red LED
LAN OK (📶)	:Green LED
Service Button (🔘)	:Yellow LED
RX (current loop)	:Yellow LED
TX (current loop)	:Yellow LED
OK (Ethernet)	:Green LED
RX (Ethernet)	:Yellow LED

MECHANICAL

Dimensions (WxHxD) :116 mm (4.57") x 157.5 mm (6.2") x 58.5 mm (2.3").

Material

Main body	:Flame Retardant Polycarbonate (white)
Terminal covers	:Flame Retardant Polycarbonate (translucent orange).

Weight

/24VAC	:0.317 kg (0.69 lb)
/230	:0.342 kg (0.77 lb)

Connectors

Power

Connector type	:2 part connector with rising cage clamp screw terminals.
Cable size	:0.14 to 2.5 mm ² (22 to 12 AWG). For UL compliance the input power connections must be made using 18 AWG or larger wire rated at least 90°C (194°F).

Inputs/Outputs, Current Loop, Wallbus & AUX (power out)

Connector type	:2 part connector (0.2" pitch) with rising cage clamp screw terminals.
Cable size	:0.14 to 2.5 mm ² (22 to 12 AWG) For UL compliance use copper cable only.

RS232 Supervisor Port:RJ11 (FCC68).

Ethernet Port :RJ45 connector.

USB Engineering Port :Micro B connector.

ENVIRONMENTAL

EMC Immunity :EN61326-1:2006
:Table 2 - for equipment intended for use in industrial locations

Emissions :Class B
Safety :EN61010-1:2010

CB certificates
/230 :NO70277
/24VAC :NO71191

USA/Canada :/24VAC variants are UL rated as 'UL916, listed open energy management equipment.

Canada :CSA22.2 No. 205-M1983 - Signal Equipment.

Energy performance of buildings:

EN ISO 52120-1 :This controller, when used as part of a complete Trend Controls system AND when programmed with an appropriate application/strategy can support compliance with EN ISO 52120-1. This enables buildings to achieve up to 30% energy cost savings (Energy classification "A") alongside maximizing comfort and well being.

EN12098-1 :This control equipment complies with the performance specification defined in EN12098-1. With an appropriate application/strategy it can make use of operation modes, scheduling, optimum start/stop, OAT and frost protection to enhance the energy performance of buildings.

Ambient Limits

Storage	:-25°C (-13°F) to +60°C (+140°F)
Operating	:-25°C (-13°F) to +55°C (+131°F).

Note: For /230 variants mounted vertically with the power connector end at the top the maximum operating temperature is 40°C (104°F) - see page 7. For temperatures below 0°C (32°F) special care must be taken that there is no condensation on or within the unit.

Humidity :0 to 90% RH non-condensing

Altitude :<4000 m (13124')

Pollution Degree 2 (Only non-conducting pollution occurs)

Protection /230 :IP20 if mounted in an enclosure rated at IP20 or equivalent

/24VAC :IP20

iPad and iPhone are trademarks of Apple Inc., registered in the U.S. and other countries. Android is a trademark of Google Inc. Windows is either a registered trademark or trademark of Microsoft Corporation in the United States and/or other countries

Please send any comments about this or any other Trend technical publication to techpubs@trendcontrols.com



© 2022 Honeywell Products and Solutions SARL, Connected Building Division. All rights reserved. Manufactured for and on behalf of the Connected Building Division of Honeywell Products and Solutions SARL, Z.A. La Pièce, 16, 1180 Rolle, Switzerland by its Authorized Representative, Trend Control Systems Limited.

Trend Control Systems Limited reserves the right to revise this publication from time to time and make changes to the content hereof without obligation to notify any person of such revisions or changes.

Trend Control Systems Limited

St. Mark's Court, North Street, Horsham, West Sussex, RH12 1BW, UK. Tel: +44 (0)1403 211888, www.trendcontrols.com