

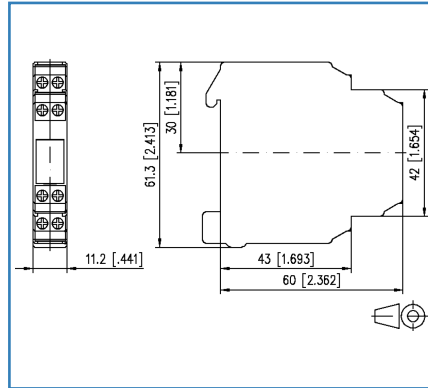
Data sheet

KRA-SR-M8/21, 1 changeover contact, 24 V AC/DC

Illustrations



Dimensional drawing



Wiring

A1	A2
B1	B2
11	A3
12	14

A1 - A2
A3 - A2
 operating voltage
B1 - B2
 switching contact
11 - 12 - 14
 output contact
 1 changeover

See enlarged drawings at the end of document

Product specification

Coupling devices are used to electrical isolation between logic and load.

- Connection with screw-type terminals
- closed compact series
- integrated protective circuit
- with manual control level and automatic checkback



KRA-SR-M8/21, 1 changeover contact, 24 V AC/DC

P/N

11064513

EAN 4250184122838

2020/11/03

Version: A

Technical Data

Supply	
Operating voltage	24 V AC/DC -10% ... +10%
Power consumption (max.)	13 mA
Response time typical	10 ms
Release time typical	5 ms
Manual control level	
Mechanical life	6x10 ⁴ switchings
Switching capacity (max.)	48 V AC/DC / 50 mA
Switching capacity (min.)	20 mV AC / 1 µA
Test voltage	500 V, 50 Hz, 1 min
Outputs	
Contacts	1 changeover contact
Contact material	AgSnO ₂
Switching voltage	250 V AC/DC
Switch-on current	8 A
Continuous Current	6 A
Switching frequency	600 switching cycles/h
Breaking capacity (resistive load)	
Mechanical life	2x10 ⁷ switching cycles
Electrical life	1x10 ⁵ switching cycles
Indicator	red LED
Insulation coil - contact set	
Nominal voltage of the power supply system	230 / 400 V AC
Overvoltage category	III II
Pollution degree	2 2
Rated test voltage	4 kV 2.5 kV
Type of insulation	basic insulation reinforced insulation
Housing	
Dimensions	
Dimension (W x H x D)	11.2 mm x 61.3 mm x 60 mm
Dimension (W x H x D)	0.441 in. x 2.413 in. x 2.362 in.
Total depth with switch/plug	69 mm
Weight	45 g
Mounting style	Standard rail TH35
Built-in	any

Technical Data

Housing	
Apposition	without distance
Connection type	Screw type terminal blocks
Terminal blocks	
Wire cross section solid	0.2 mm ² - 2.5 mm ² / AWG 22-12
Wire cross section multi	0.25 mm ² - 2.5 mm ² / AWG 22-12
Wire cross section with wire ferrule	0.25 mm ² - 2.5 mm ² / AWG 22-12
Screw torque (max.)	0.5 Nm
Stripping length (min.)	8 mm
Material	
Material - Housing	Polyamid 6.6 V0
Color	gray
Material - Terminal block	Polyamid 6.6 V0
REACH - substance (SVHC)	Lead / 7439-92-1
Protection category according to IEC 60529	
Protection category - housing (acc. to IEC 60529)	IP40
Protection category - terminal blocks (acc. to IEC 60529)	IP20
Temperature range	
Operating	
Temperature - Operating °C	-20 °C - 55 °C
Temperature - Operating °F	-4 °F - 131 °F
Storage	
Temperature - Storage °C	-25 °C - 70 °C
Temperature - Storage °F	-13 °F - 158 °F
Power loss	
Power loss (typical) coil	300 mW
Power loss (typical) Contact rate	700 mW
Classifications	
ETIM 6.0	EC000310
ETIM 7.0	EC001437



Data sheet

KRA-SR-M8/21, 1 changeover contact, 24 V AC/DC

Page 4/6

P/N

11064513

EAN 4250184122838

2020/11/03

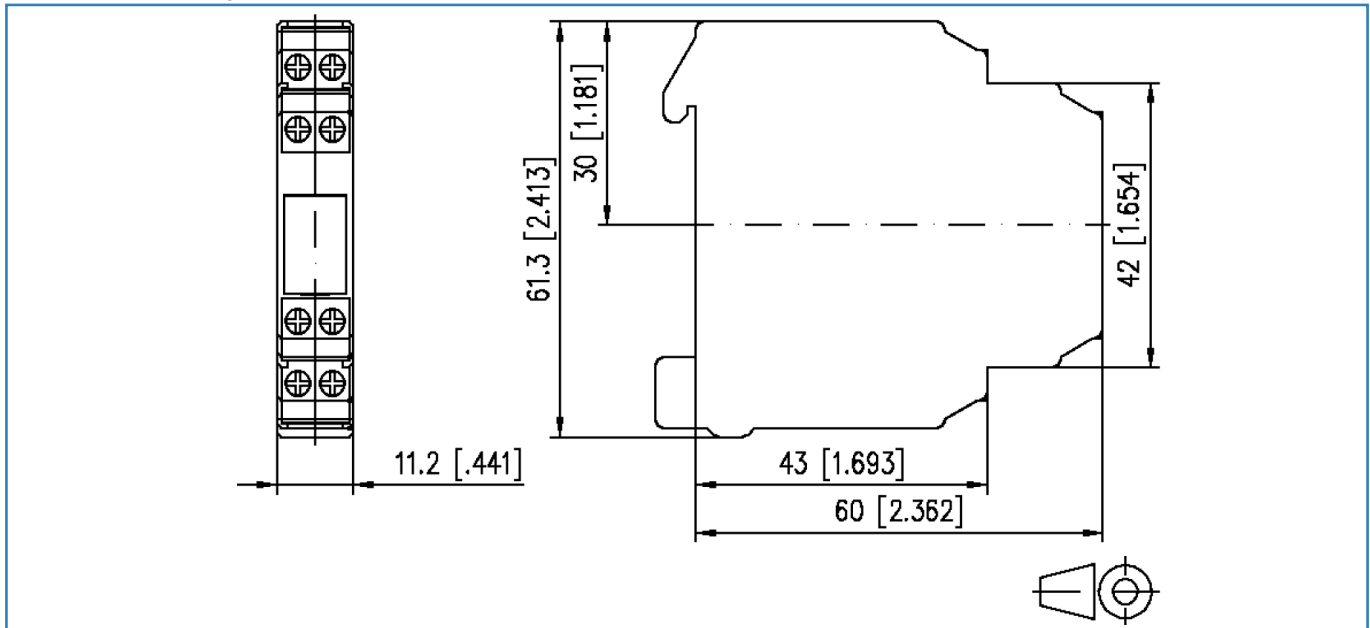
Version: A

Accessories

P/N	Designation
820234-01-9	Labeling plate white
850349-02	Connecting bridge, 10 pole

Illustrations

Dimensional drawing



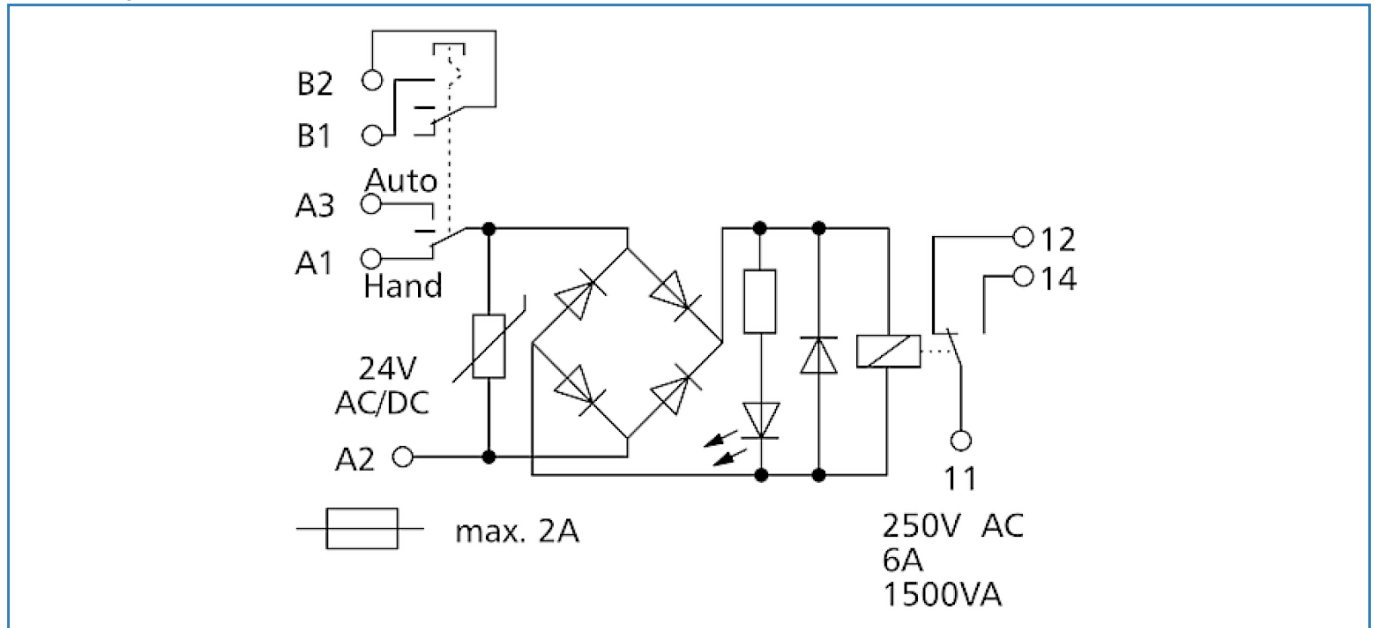
Wiring

A1	A2
B1	B2
11	A3
12	14

A1 - A2
A3 - A2
 operating voltage
B1 - B2
 switching contact
11 - 12 - 14
 output contact
 1 changeover

Illustrations

Circuit diagram



© 2020 METZ CONNECT - Technische Änderungen vorbehalten! Subject to modifications! Sous réserve de modifications techniques!