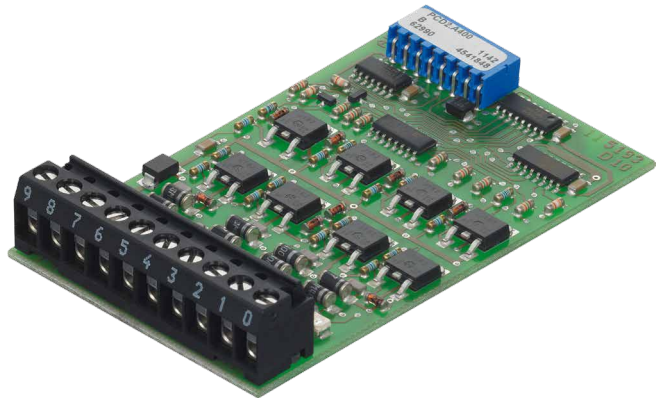


PCD2.A400

Digital output module, 8 outputs, transistors, 5...32 VDC/0.5 A



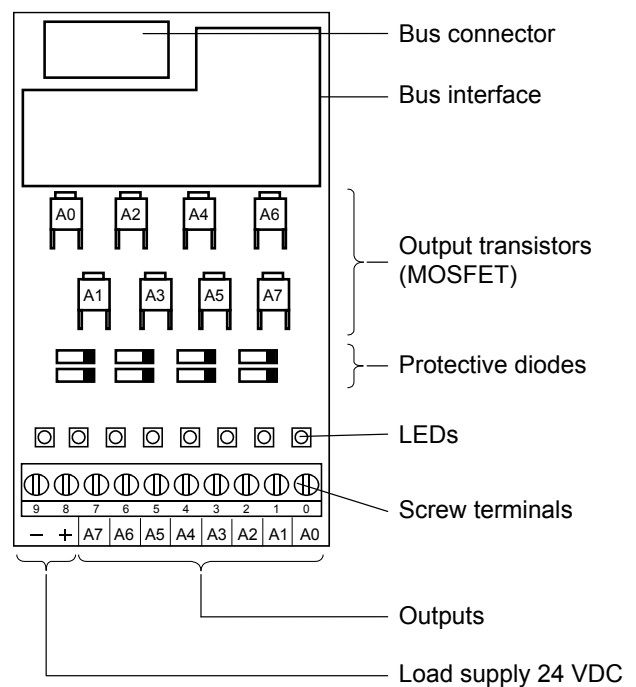
Low cost output module with 8 transistor outputs 5 ... 500 mA, without short circuit protection. For non-isolated circuits in the voltage range 5 ... 32 VDC.

Technical data (for version "B")*

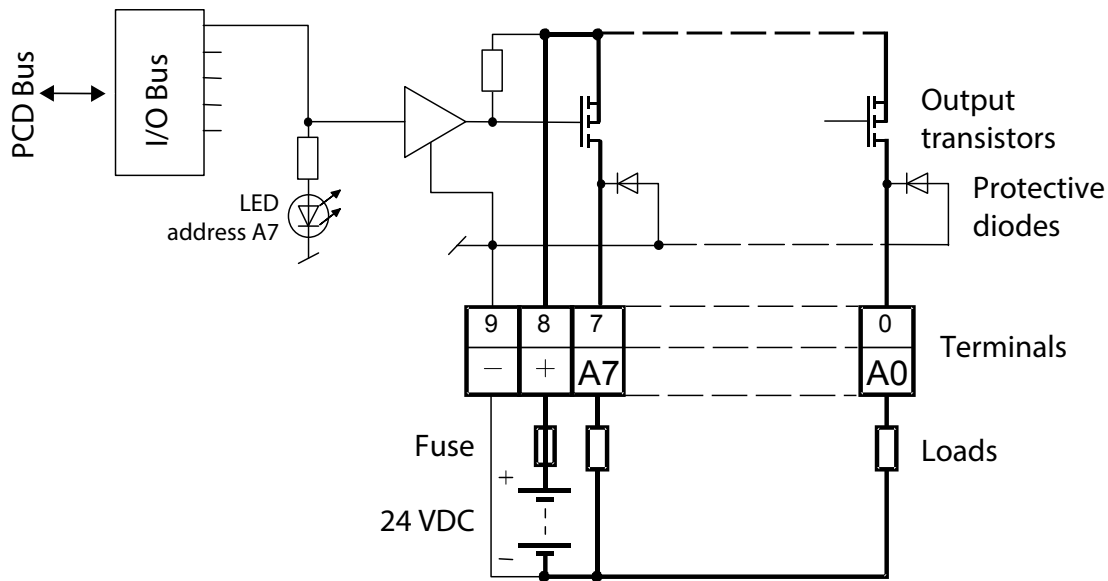
Number of outputs	8, electrically connected
Output current	5 ... 500 mA (leakage current max. 0,1 mA) Within the voltage range 5 ... 24 VDC, the load resistance should be at least 48 Ω
Total current per module	4 A on 100 % duty cycle
Operating mode	Source operation (positive switching)
Voltage range	5 ... 32 VDC, smoothed 10 ... 25 VDC, pulsed
Voltage drop	≤ 0.4 V at 0.5 A
Output delay	Switch-on delay typically 10 μs Switch-off delay typically 50 μs (ohmic load 5 ... 500 mA), longer with inductive load, because of the protective diode.
Resistance to interference acc. to IEC 801-4	4 kV under direct coupling 2 kV under capacitive coupling (whole trunk group)
Internal current consumption (from +5 V bus)	1 ... 25 mA, typically 15 mA
Internal current consumption (from V+ bus)	0 mA
External current consumption	Load current
Terminals	Type L: Pluggable 10-pole screw terminal block (4 405 4847 0), for wires up to 1.5 mm ²

* Version "B" available since February 1995
(Version "A" was fitted with bipolar transistors. These had a shorter recovery time, but also a higher residual voltage, resulting in a restriction on 100 % loading)

LEDs and connection terminals



Output circuits and terminal designation



Output conducting (set): LED on
 Output disconnected (reset): LED off

Fuse: It is recommended that each module should be separately protected with a fast-blow (S) 4 A fuse.



Watchdog: This module can be used on all base addresses; there is no interaction with the watchdog on the CPUs. For details, please refer to the "Watchdog" section of the manual 26-856_ENG, which describes the correct use of the watchdog in conjunction with PCD2 components.



I/O modules and I/O terminal blocks may only be plugged in and removed when the Saia PCD® and the external +24 V are disconnected from the power supply.

Ordering information

Type	Short description	Description	Weight
PCD2.A300	8 outputs 0.5 A, 10...32 VDC	Digital output module, 8 outputs, transistors, 5...32 VDC/0.5 A	40 g

Accessories

Type	Short description	Description	Weight
4 405 4847 0	Plug-in, type L	Plug-in screw terminal block, 10-pin (type L) for wires up to 1.5 mm ² , labelling 0...9	17 g

Saia-Burgess Controls AG

Bahnhofstrasse 18 | 3280 Murten, Switzerland
 T +41 26 580 30 00 | F +41 26 580 34 99
 www.saia-pcd.com

support@saia-pcd.com | www.sbc-support.com