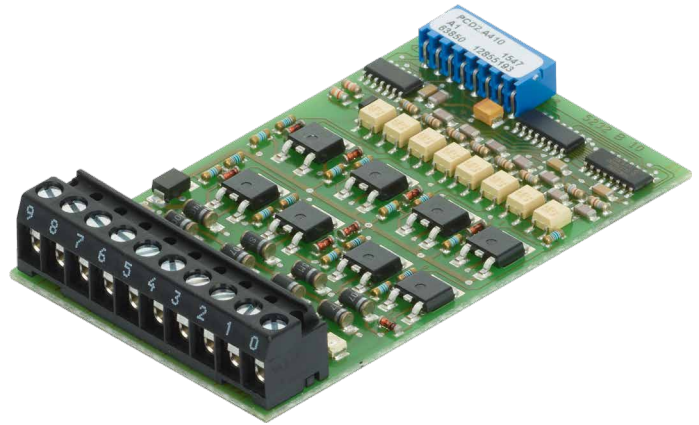


PCD2.A410

Digital output module, 8 outputs, transistors, 5...32 VDC/0.5 A, with galvanic isolation

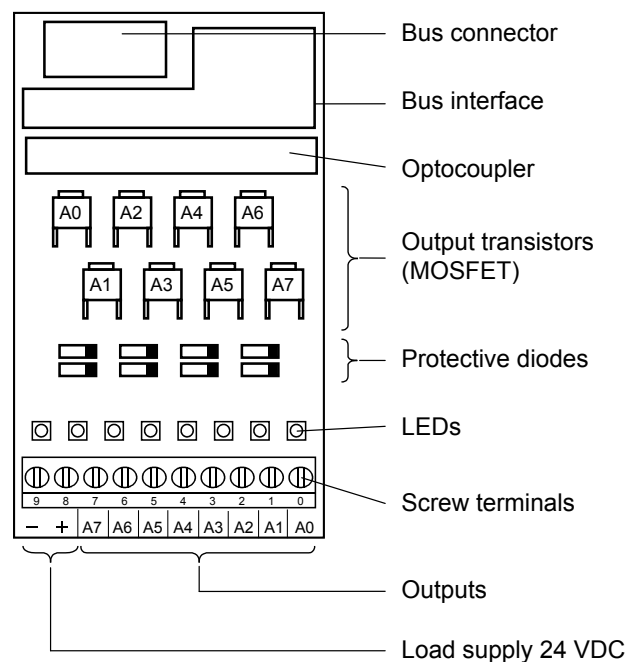


Output module, electrically isolated from the CPU, with 8 MOSFET transistor outputs, without short-circuit protection. Voltage range 5 ... 32 VDC.

Technical data

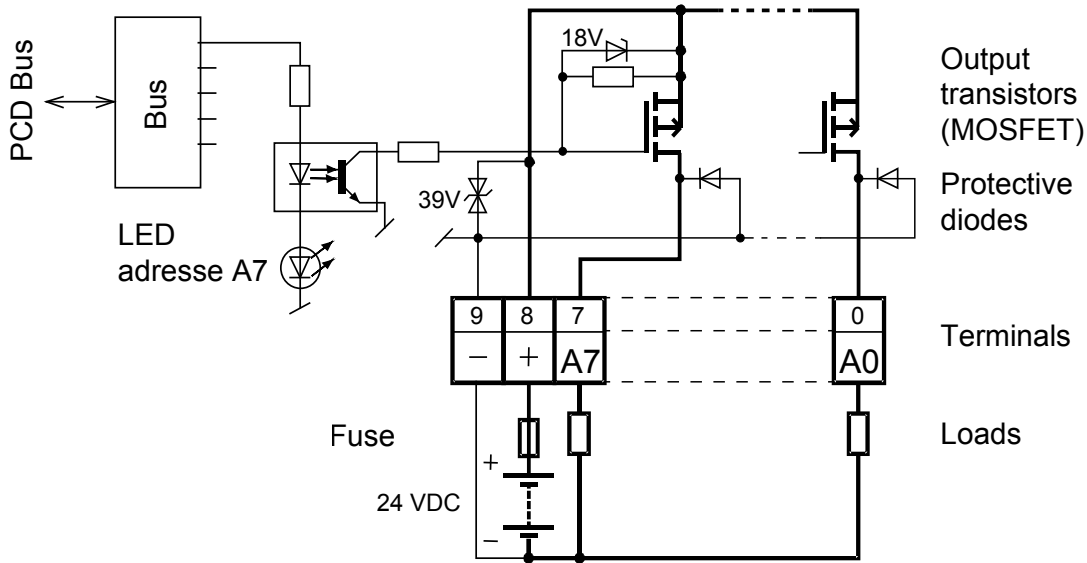
Number of outputs	8, electrically isolated
Output current	1 ... 500 mA (leakage current max. 0,1 mA) Within the voltage range 5 ... 24 VDC, the load resistance should be at least 48 Ω
Total current per module	4 A on 100 % duty cycle
Operating mode	Source operation (positive switching)
Voltage range	5 ... 32 VDC, smoothed 10 ... 25 VDC, pulsed
Voltage drop	≤ 0,4 V at 0,5 A
Output delay	Switch-on delay <10 μs Switch-off delay <50 μs (ohmic load 5 ... 500 mA), longer with inductive load, because of the protective diode
Isolation voltage	1000 VAC, 1 min
Resistance to interference acc. to IEC 801-4	4 kV under direct coupling 2 kV under capacitive coupling (whole trunk group)
Internal current consumption (from +5 V bus)	1 ... 24 mA typically 15 mA
Internal current consumption (from V+ bus)	0 mA
External current consumption	Load current
Terminals	Type L: Pluggable 10-pole screw terminal block (4 405 4847 0), for wires up to 1.5 mm ²

LEDs and connection terminals



This module is not suitable for triggering the PCA2.D12/D14 display modules.

Output circuits and terminal designation



Output conducting (set): LED on
 Output disconnected (reset): LED off

Fuse: It is recommended that each module should be separately protected with a fast-blow (S) fuse of max. 4 A.



Watchdog: This module can be used on all base addresses; there is no interaction with the watchdog on the CPUs. For details, please refer to the "Watchdog" section of the manual 27-600_ENG, which describes the correct use of the watchdog in conjunction with Saia PCD® components.



I/O modules and I/O terminal blocks may only be plugged in and removed when the Saia PCD® and the external +24 V are disconnected from the power supply.

Ordering information

Type	Short description	Description	Weight
PCD2.A410	8 digital outputs for 0.5 A each, electrically isolated	Digital output module, 8 outputs, transistors, 5...32 VDC/0.5 A, with galvanic isolation	40 g

Accessories

Type	Short description	Description	Weight
4 405 4847 0	Plug-in, type L	Plug-in screw terminal block, 10-pin (type L) for wires up to 1.5 mm ² , labelling 0...9	17 g

Saia-Burgess Controls AG

Bahnhofstrasse 18 | 3280 Murten, Switzerland
 T +41 26 580 30 00 | F +41 26 580 34 99
 www.saia-pcd.com

support@saia-pcd.com | www.sbc-support.com