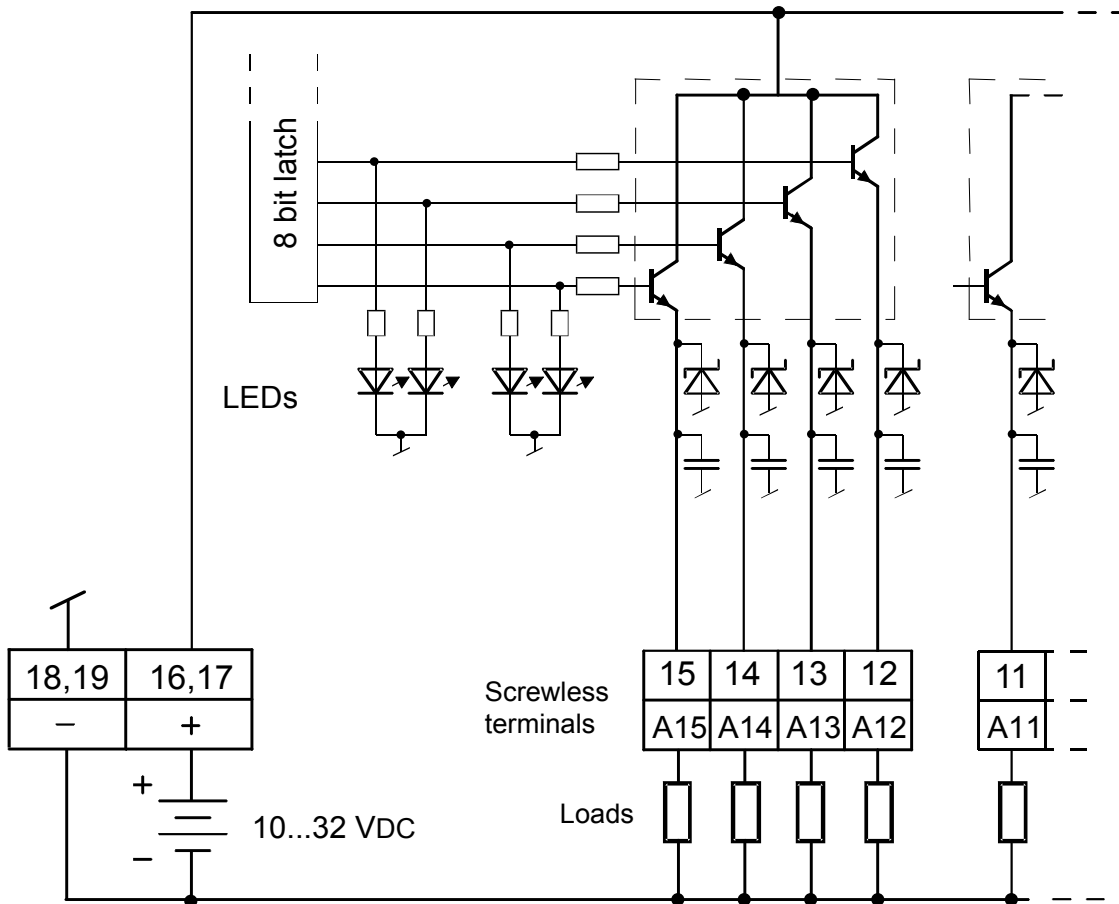


Output circuits and terminal designation



Watchdog: This module can interact with the watchdog.

For details, please refer to the "Watchdog" section of the manual 27-600_ENG, which describes the correct use of the watchdog in conjunction with Saia PCD components.



I/O modules and I/O terminal blocks may only be plugged in and removed when the Saia PCD® and the external +24 V are disconnected from the power supply.

Ordering information

Type	Short description	Description	Weight
PCD2.A465	16 digital outputs for 0.5 A each	Digital output module, 16 outputs, transistors, 10...32 VDC/0.5 A, connection with spring terminals	35 g

Saia-Burgess Controls AG

Bahnhofstrasse 18 | 3280 Murten, Switzerland
 T +41 26 580 30 00 | F +41 26 580 34 99
 www.saia-pcd.com

support@saia-pcd.com | www.sbc-support.com