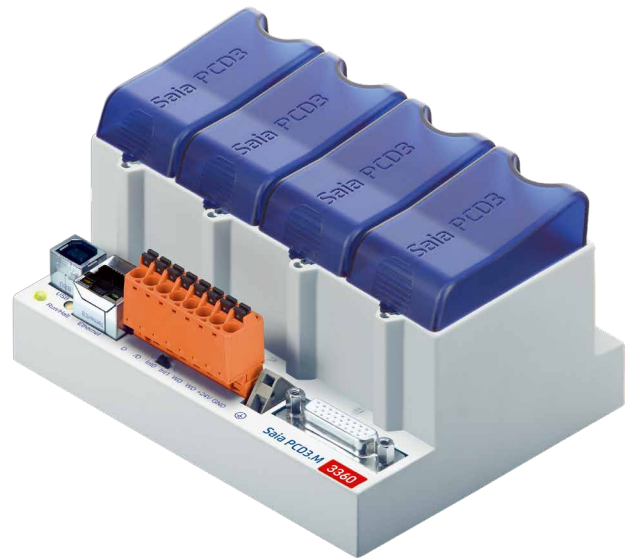


PCD3.M3360

CPU basic power module with Ethernet TCP/IP, 1023 I/Os, 512 kByte of program memory

The Saia PCD3.M3, with its modular cassette configuration, is designed as the smallest base device for simple applications. The products available include four different CPU base modules with USB, Ethernet and RS-485 interfaces.

64 or 1023 inputs/outputs are available depending on the module, along with 128 or 512 kB of program memory. The integrated on-board interface functions can be expanded via the various slots. The Saia PCD3 also supports a wide range of protocols.



Technical Data	PCD3.M3120	PCD3.M3330	PCD3.M3160	PCD3.M3360
	Basic	Basic	Basic Power	Basic Power
Number of inputs/outputs	64	1023	64	1023
or I/O module slots	4	64	4	64
I/O expansion connection for PCD3.Cxxx module holder	No	Yes	No	Yes
Processing times [µs]	0.3...1.5 µs 0.9 µs		0.1...0.8 µs 0.3 µs	
Real-time clock (RTC)	Yes			

Onboard memory

Main memory (RAM) for program and DB/text	128 kByte	512 kByte	No
Program memory, DB/text (FLASH)	No		512 kByte
Working memory, DB/text (RAM)	No		128 kByte
Flash memory (S-RIO, configuration and backup)	2 MByte		128 MByte
User flash file system (INTFLASH)	No		128 MByte
Data backup	4 hours with SuperCap		

Onboard interfaces

USB 1.1	Yes
Ethernet 10/100 Mbps, full-duplex, auto-sensing/auto-crossing	Yes
RS-485 on terminal block (Port 2) or RS-485 Profibus-DP Slave, Profi-S-Net on terminal block (Port 2)	up to 115 kbits up to 187.5 kbits

Options

The data memory can be expanded to 4 GB with flash memory modules (with file system).

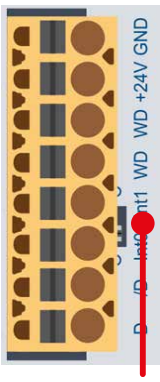
Optional data interfaces

I/O slot 0	PCD3.F1xx modules for RS-232, RS-422, RS-485 and Belimo MP-Bus
I/O slot 0...3 - up to 4 modules or 8 interfaces:	PCD3.F2xx modules for RS-232, RS-422, RS-485, BACnet® MS/TP, Belimo MP-Bus, DALI and M-Bus

General specifications

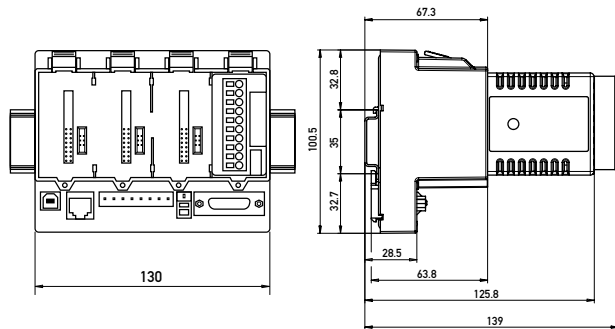
Supply voltage (in accordance with EN/IEC 61131-2)	24 VDC, -20/+25% max. incl. 5% ripple or 19 VAC ±15% two-way rectified (18 VDC)
Power consumption	typically 15 W for 64 I/Os
Capacity 5 V/+V (24 V) internal	max. 600 mA/100 mA

Connections

Terminal block (Order number: 4 405 4995 0) for supply, watchdog, interrupt inputs and Port #2			
	Pin	Signal	Explanation
	8	GND	Voltage supply
	7	+24V	
	6	WD	Watchdog
	5	WD	
	4	Int1	2 interrupt inputs 24 VDC or 1 rapid counter 24 VDC
	3	Int0	
	2	/D	Port #2 RS-485 up to 115.2 kbit/s usable as free user interface or Profi-S-Bus up to 187.5 kbits/s
	1	D	
RS-485 terminator switch			
Switch position	Designation	Explanation	
left	O	without termination resistors	
right	C	with termination resistors	

Profibus	
Signal	Wiring
RxD/TxD-N	A: green
RxD/TxD-P	B: red

Dimensions



Details about this CPU can be found in the manual 26-789 ENG "PCD3 series".



I/O modules and I/O terminal blocks may only be plugged in and removed when the Saia PCD® and the external +24 V are disconnected from the power supply.



EAC Mark of Conformity for Machinery Exports to Russia, Kazakhstan or Belarus.

Ordering information

Type	Short description	Description	Weight
PCD3.M3360	CPU base units for 4 plug-in I/O modules	PCD3 processor unit with Ethernet TCP/IP, web and FTP server, file system, CPU with 512 KByte user program, 128 MByte user Flash memory with file system, clock (RTC), USB port for PG5, up to 1024 I/O, 2 interrupt inputs, RS-485 for Profi-S-Net or S-Bus	640 g

Accessories

Type	Short description	Description	Weight
4 405 4995 0	8-pin spring terminal block	Pluggable spring block, 8-pin up to 2.5 mm ² (orange terminal block), for power supply to PCD3.Mxxx0	12 g
4 104 7515 0	Slot cover for unused PCD3 I/O slots	Slot cover for unused PCD3 I/O slots (with SBC logo)	8 g

Saia-Burgess Controls AG

Bahnhofstrasse 18 | 3280 Murten, Switzerland
T +41 26 580 30 00 | F +41 26 580 34 99
www.saia-pcd.com

support@saia-pcd.com | www.sbc-support.com