

PCD7.D515CF

15.6" TFT – ARM Cortex A9 Quad Core
3 Ethernet, 2 USB ports

- ▶ 15.6" TFT color display with a resolution of 1366 × 768 pixel with 16M colors
- ▶ Dimmable LED backlight
- ▶ Projected capacitive touchscreen. True glass design. Resistant to scratches, UV radiation, and chemicals
- ▶ Multitouch operation
- ▶ Flush mounting for control cabinet installation
- ▶ IP66 from the front
- ▶ Operating temperature – 20 °C to +60 °C
- ▶ 3 Ethernet ports
- ▶ 2 USB ports

Advantages

- ▶ High Cyber Security Level. Protection from unauthorized accesses
- ▶ Modern HTML5 Browser based on Linux
- ▶ High quality, industrial grade. Long life cycle > 10 year
- ▶ Controllers, HMI and tools are harmonized and tested together
- ▶ HTML5 Chromium Browser to access PCD Web-Server or any other WebServer
- ▶ Compatible with HTML5 Web-Editor Projects

Applications

- ▶ Building automation
- ▶ Infrastructure automation
- ▶ OEM

Highlights

The PCD7.D5xxCF Series HMI products combine state-of-the-art connectivity features and top performance in a appealing design.

They have been designed to offer an outstanding price/performance ratio for challenging applications. They are the ideal choice for HMI applications including factory and building automation.

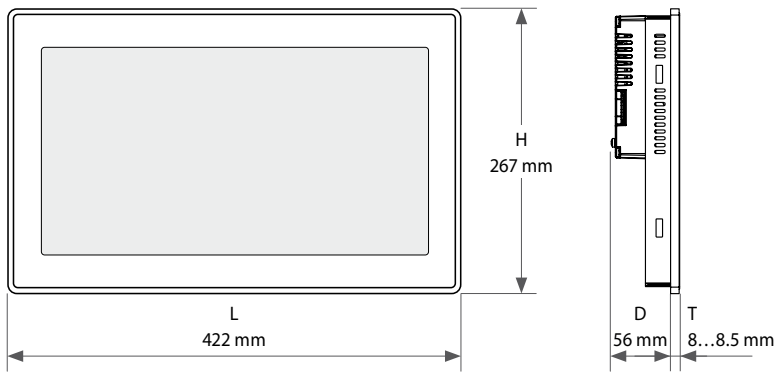
The glass projected capacitive touchscreen and the brilliant 15.6" widescreen display with resolution of 1366 × 768 guarantee superior optical performance; with the support of multitouch gesture programming, a userfriendly human interface is obtained.



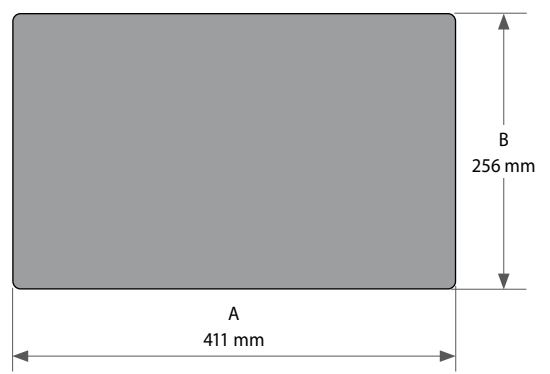
Technical Data

System Resources	
Display - Colors	15,6" TFT LED - 16M
Resolution	1366 × 768, HD
Brightness	400 Cd/m ² typ.
Dimming	to 0%
Touchscreen	True Glass Projected Capacitive, Multitouch
CPU	ARM Cortex-A9 quad core 800 MHz
Operating System	Linux
RAM	2 GB
Flash	8 GB
Real Time Clock, RTC Back-up, Buzzer	Yes
Interface	
Ethernet port	3 (port 0 - 10/100/1000, port 1-10/100, port 2-10/100)
USB port	2 (Host V2.0, max. 500 mA)
Serial port	Not supported
SD card	Not supported
Expansion	Not supported
Ratings	
Power supply	24 Vdc (10 to 32 Vdc)
Current Consumption	1.2 A at 24 Vdc (max.)
Input Protection	Electronic
Battery	Rechargeable Lithium battery, not user-replaceable
Environment Conditions	
Operating Temp	-20 °C ... +60 °C (vertical installation) Plug-in modules and USB devices may limit max temperature to +50 °C
Storage Temp	-20 °C ... +70 °C
Operating / Storage Humidity	5 ... 85% RH, non condensing
Protection Class	IP66 (front), IP20 (rear)
Dimensions and Weights	
Faceplate L × H	422 × 267 mm (16.61 × 10.51")
Cutout A × B	411 × 256 mm (16.18 × 10.08")
Depth D + T	56 + 8 ... 8.5 mm (2.20 + 0.31 ... 0.33")
Weight	4.1 kg
Approvals	
CE	Emission EN 61000-6-4, Immunity EN 61000-6-2 for installation in industrial environments
UL	UL 61010-1, 3rd Edition and UL 61010-2-201, 1st Edition

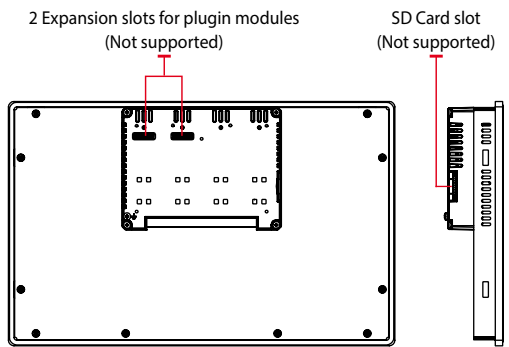
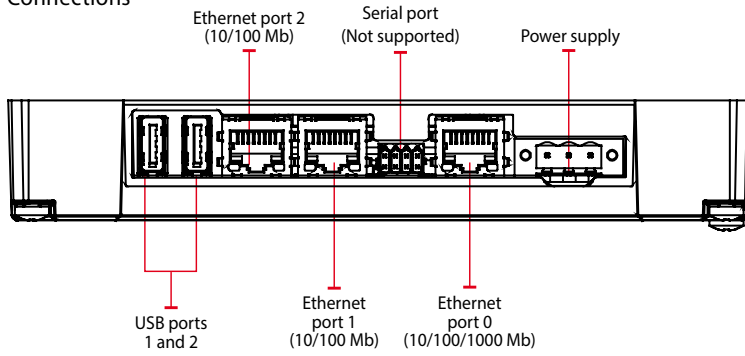
Dimensions



Cut-out



Connections



Ordering information

Part Number	Type	Description
PCD7.D515CF	15.6" HTML5 Web Panel, capacitive touch	15.6" HTML5 Web Panel, TFT color, 1366 x 768 pixel, capacitive multi touch screen, 3 Ethernet port, 2 USB host port

Saia-Burgess Controls AG

Bahnhofstrasse 18 | 3280 Murten, Switzerland
 T +41 26 580 30 00 | F +41 26 580 34 99 | www.saia-pcd.com
 support@saia-pcd.com | www.sbc-support.com

