

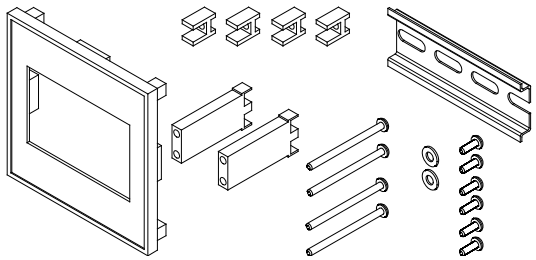
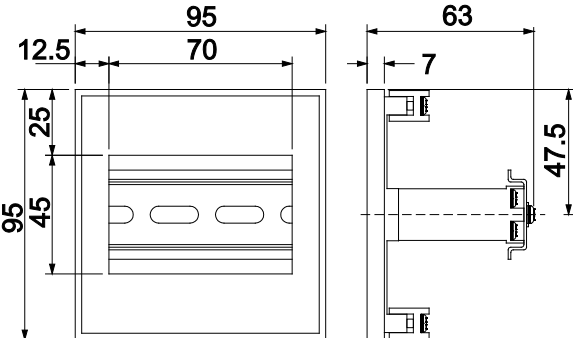
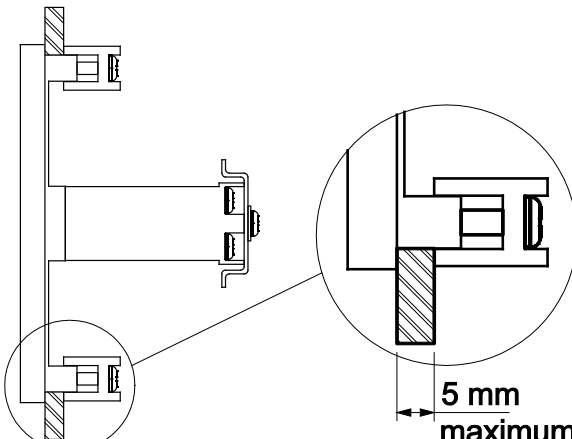
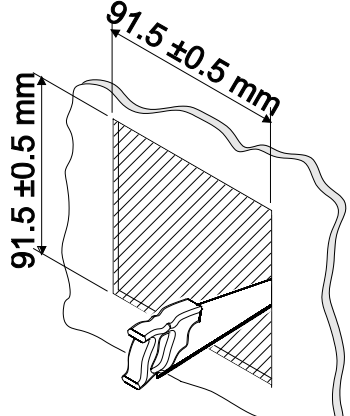
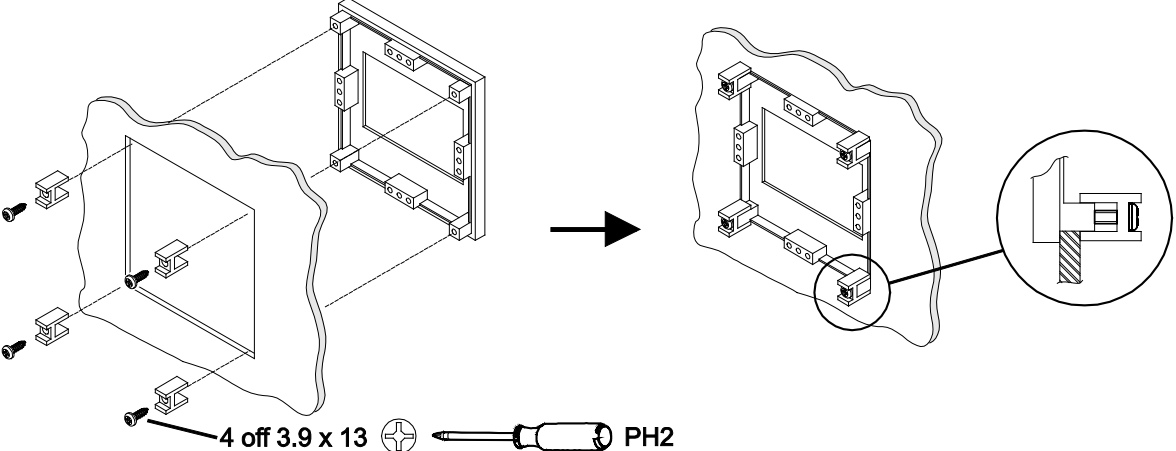

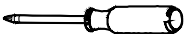
- D Montageanweisung
- F Instructions d'installation
- I Istruzioni di montaggio
- NL Installatievoorschrift
- DK Installasjonsinstruktus
- N Installationsinstruktioner
- FIN Asennusohje
- S Installation instruktioner
- E Instrucciones de montaje

## PMK-EEM400

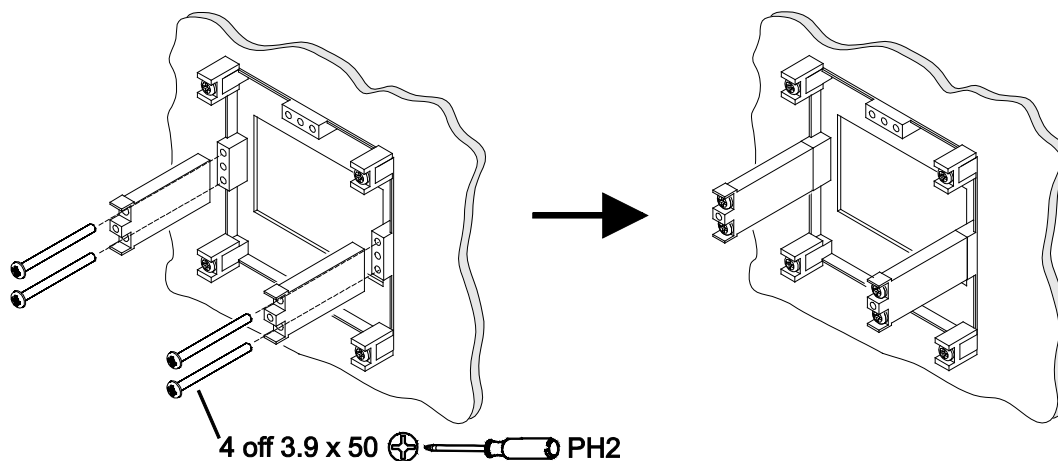
### Meter Panel Kit

For EEM400 – energy meters

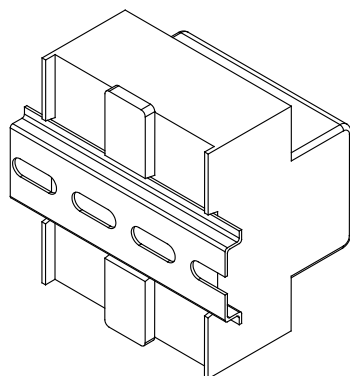
#### INSTALLATION INSTRUCTIONS

<p><b>Box Contents</b></p> <p>Panel Kit for 70 mm (4 HP) according to DIN 43880 (HP=Horizontal Pitch)</p> 	<p><b>Dimensions (mm)</b></p> 
<p><b>Panel thickness</b></p>  <p>5 mm maximum</p>	<p><b>A1 Cut hole in panel</b></p> 
<p><b>A2 Mount fascia on panel</b></p>  <p>4 off 3.9 x 13   PH2</p>	

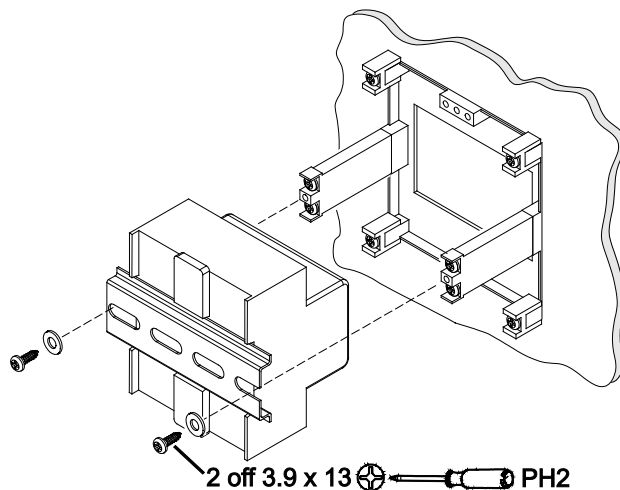
## A3 Mount struts on fascia



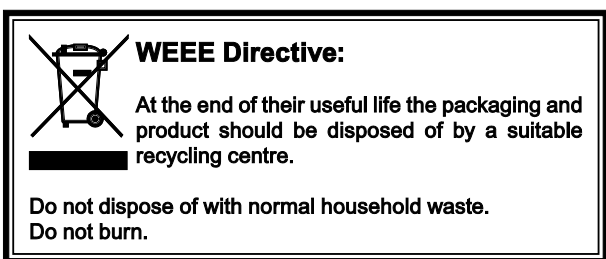
## A4 Mount unit on DIN rail



## A5 Mount DIN rail on frame



## DISPOSAL



### Automation and Control Solutions

Trend Control Systems Limited  
Albery House, Sprigfield Road, Horsham, West Sussex, RH122PQ, England  
Phone: +44 (0)1403 211888  
Fax: +44 (0)1403 241608  
www.trendcontrols.com

Subject to change without notice.

