

Space Temperature Sensor

T/TS Space Temperature Sensor



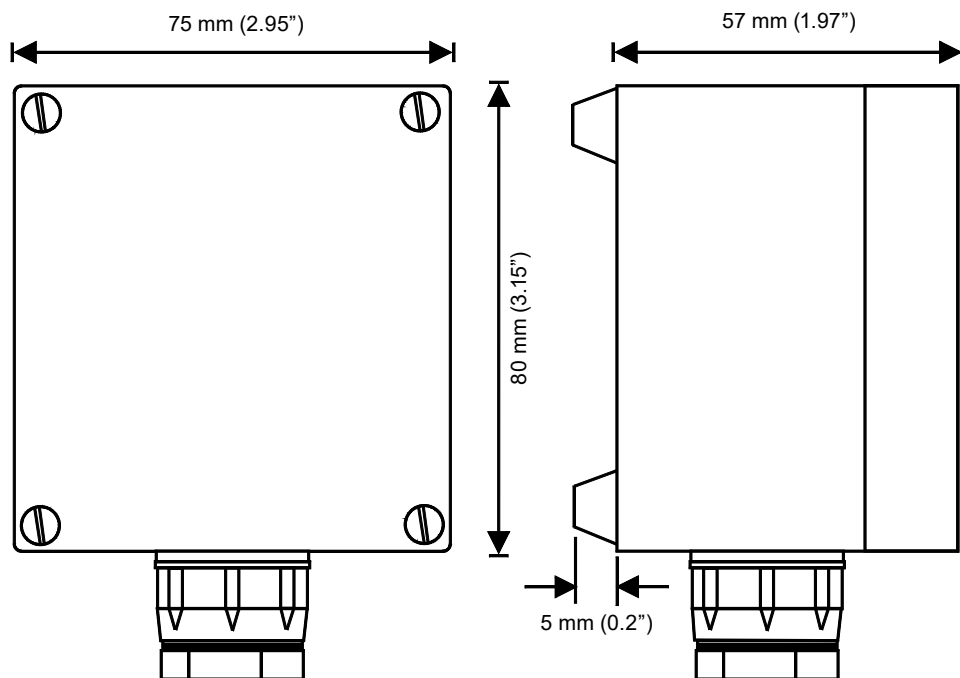
Description

Low cost thermistor for measurement of air temperature. Suitable for radiant heat measurement. Robust aluminium enclosure rated to IP65. Vandal proof.

Features

- Low cost.
- High quality thermistor.
- IP65 housing.
- Robust enclosure.
- Suitable for radiant heating applications.
- Vandal proof.

Physical



INSTALLATION

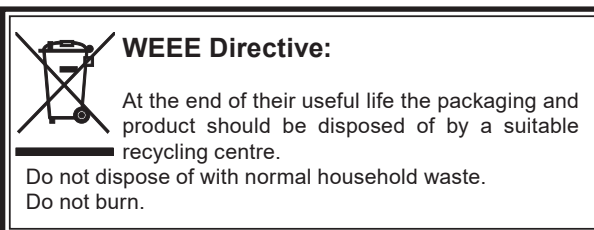
The sensor should be mounted in a location providing safe access for maintenance and a suitable operating environment. Full details are given in the T/TS Space Temperature Sensor Installation Instructions (TG101133A).

DISPOSAL

COSHH (Control of Substances Hazardous to Health - UK Government Regulations 2002) ASSESSMENT FOR DISPOSAL OF T/TS SENSOR. No parts affected.

RECYCLING

All plastic and metal parts are recyclable. The printed circuit board may be sent to any PCB recovery contractor to recover some of the components for any metals such as gold and silver.



ORDER CODES

T/TS

Space Temperature Sensor

SPECIFICATIONS

Thermistor	:10k Ω at 25 °C (77 °F)
Range	:-10 °C to 40 °C (14°F to 104 °F)
Accuracy	: ± 1 °C (± 1.8 °F)
Dimensions	:80 mm x 75 mm x 62 mm (3.15" x 2.95" x 2.44")
Enclosure Material	:Diecast Aluminium
Environmental Protection:	IP65
Connections	:1 part screw terminals for 0.5 to 2.5 mm ² cross section area (20 to 14 AWG) cable.

IQ SCALING

For sensor scaling see T/TS Space Temperature Sensor Installation Instructions (TG101133A).

Please send any comments about this or any other Trend technical publication to techpubs@trendcontrols.com



© 2022 Honeywell Products and Solutions SARL, Connected Building Division. All rights reserved. Manufactured for and on behalf of the Connected Building Division of Honeywell Products and Solutions SARL, Z.A. La Pièce, 16, 1180 Rolle, Switzerland by its Authorized Representative, Trend Control Systems Limited.

Trend Control Systems Limited reserves the right to revise this publication from time to time and make changes to the content hereof without obligation to notify any person of such revisions or changes.

Trend Control Systems Limited

St. Mark's Court, North Street, Horsham, West Sussex, RH12 1BW, UK. Tel: +44 (0)1403 211888, www.trendcontrols.com